

USE 3/4"
SOCKET
FOR NUT

0.490in [12.4mm]

0.750in [19.1mm]

0.141in [3.6mm]

0.439in [11.2mm]
DISTANCE FROM
CENTER OF
STRING POST HOLE
TO CENTER OF
MOUNTING
SCREW HOLE

COMPATIBLE WITH
11/16in [17.5mm]
HEADSTOCK HOLE

2.562in [65.1mm]

1.330in [33.8mm]

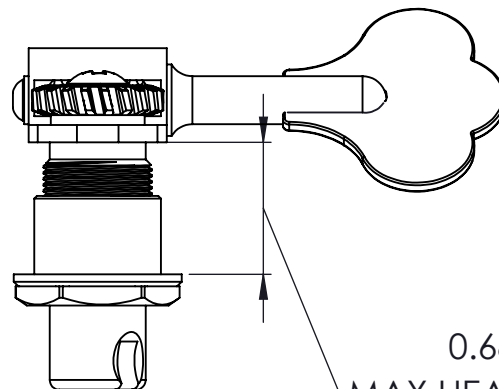
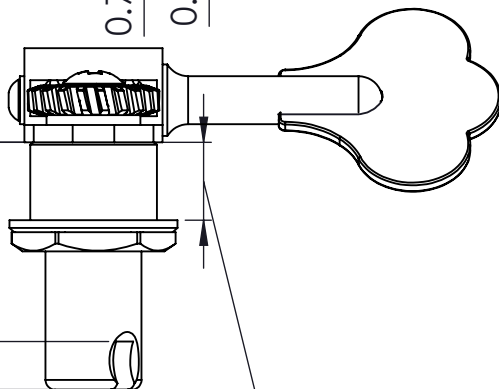
1.296in [32.9mm]

0.720in [18.3mm]

0.082in [2.1mm]

1.038in [26.4mm]

1.288in [32.7mm]

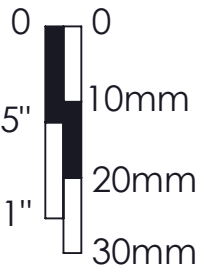


0.688in [17.5mm]
MAX HEADSTOCK THICKNESS

0.406in [10.3mm]
MIN HEADSTOCK
THICKNESS

WEIGHT (WITH MOUNTING HARDWARE): 1.59oz [45g]

Scale



THIS DRAWING IS THE SOLE PROPERTY OF HIPSHOT PRODUCTS, INC. ALL RIGHTS ARE RESERVED. DIMENSIONS AND PRODUCT FEATURES MAY CHANGE WITHOUT NOTICE.

UNLESS OTHERWISE SPECIFIED: DIMENSIONS ARE IN INCHES TOLERANCE: ± .005

REV DATE:
2/15/2021

20675MC ULTRALITE 1-2 MINI
CLOVER KEY



8248 STATE ROUTE 96
Interlaken, NY 14847 U.S.A.
TEL: 607-532-9404 FAX: 607-532-9530
E-MAIL: info@hipshotproducts.com