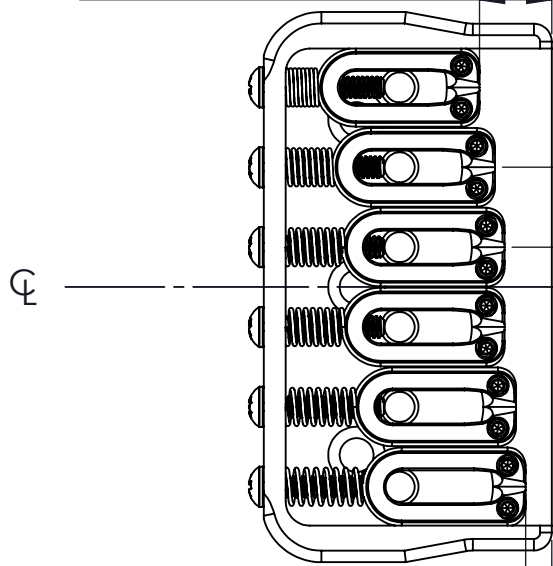


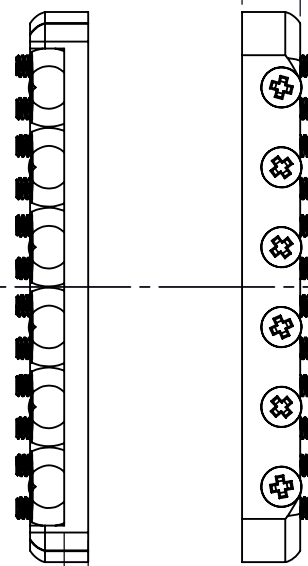
0.38in [10mm]
(MAX INTONATION)

0.303in [7.7mm]

1.500in [38.1mm]



0.416in [10.6mm]
(STRING SPACING)



0.125in [3.2mm]

2.866in [72.8mm]

0.792in [20.1mm]

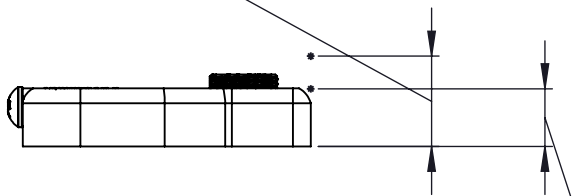
1.016in [25.8mm]

0.208in [5.3mm]

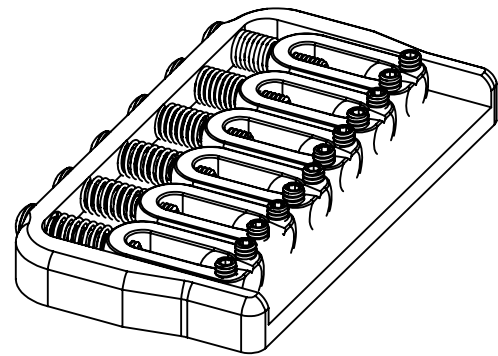
0.875in [22.2mm]

0.14in [3mm]
(MIN INTONATION)

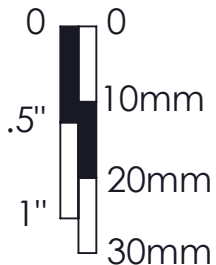
0.47in [12mm]
(MAX STRING HEIGHT)



0.30in [8mm]
(MIN STRING HEIGHT)



Scale



WEIGHT (WITH MOUNTING HARDWARE): 4.4oz [125g]

THIS DRAWING IS THE SOLE PROPERTY OF HIPSHOT PRODUCTS, INC. ALL RIGHTS ARE RESERVED. DIMENSIONS AND PRODUCT FEATURES MAY CHANGE WITHOUT NOTICE.

UNLESS OTHERWISE SPECIFIED; DIMENSIONS ARE IN INCHES TOLERANCE: ± .005

REV DATE: 3/14/2021

41060 6 STG FIXED BRIDGE
.125 FLOOR HEIGHT
DIMENSIONS



8248 STATE ROUTE 96
Interlaken, NY 14847 U.S.A.
TEL:607-532-9404 FAX:607-532-9530
E-MAIL: info@HipshotProducts.com