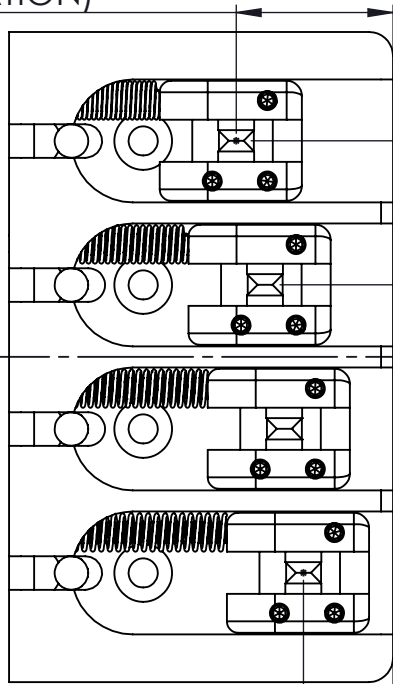
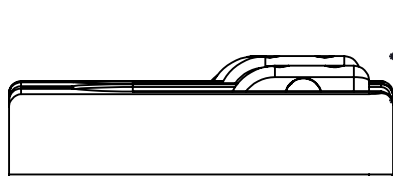


0.82in [21mm]  
(MAX INTONATION)



0.47in [12mm]  
(MIN INTONATION)

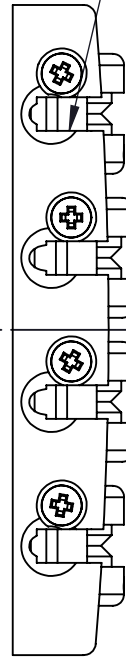
0.63in [16mm]  
(MAX STRING HEIGHT)



0.750in [19.1mm]  
±.062in [1.5mm]  
(STRING SPACING)

0.40in [10mm]  
(MIN STRING HEIGHT)

QUICK RELEASE CHANNELS



3.386in [86.0mm]

1.675in [42.5mm]

1.301in [33.0mm]

1.125in [28.6mm]

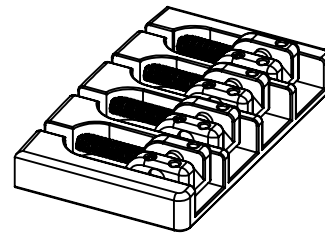
0.375in [9.5mm]

2.000in [50.8mm]

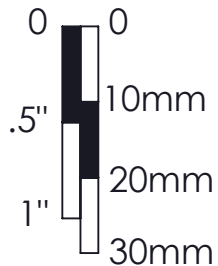
1.125in [28.6mm]

0.375in [9.5mm]

R0.125in [3.2mm]



Scale



WEIGHT (WITH MOUNTING HARDWARE):  
**ALUM:** 4.9oz [139g] **BRASS:** 9.5oz [269g]

THIS DRAWING IS THE SOLE PROPERTY OF HIPSHOT PRODUCTS, INC. ALL RIGHTS ARE RESERVED. DIMENSIONS AND PRODUCT FEATURES MAY CHANGE WITHOUT NOTICE.

UNLESS OTHERWISE SPECIFIED: DIMENSIONS ARE IN INCHES TOLERANCE: ± .005

REV DATE: 4/10/2021

5A400-750 4 STG A STYLE  
BASS BRIDGE .750 SPACING  
DIMENSIONS



8248 STATE ROUTE 96  
Interlaken, NY 14847 U.S.A.  
TEL: 607-532-9404 FAX: 607-532-9530  
E-MAIL: info@hipshotproducts.com