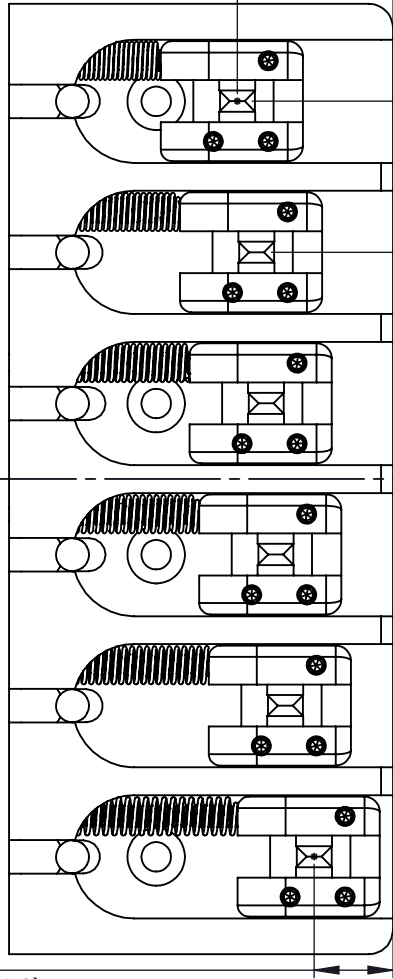


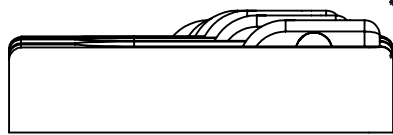
0.81in [21mm]  
(MAX INTONATION)



0.787in [20.0mm]  
±.062in [1.5mm]  
(STRING SPACING)

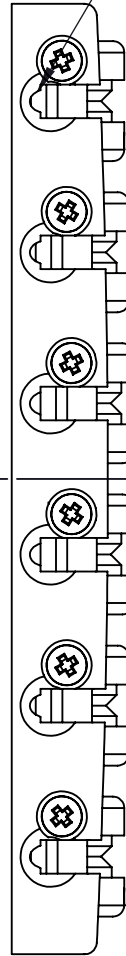
0.41in [10mm]  
(MIN INTONATION)

0.68in [17mm]  
(MAX STRING HEIGHT)

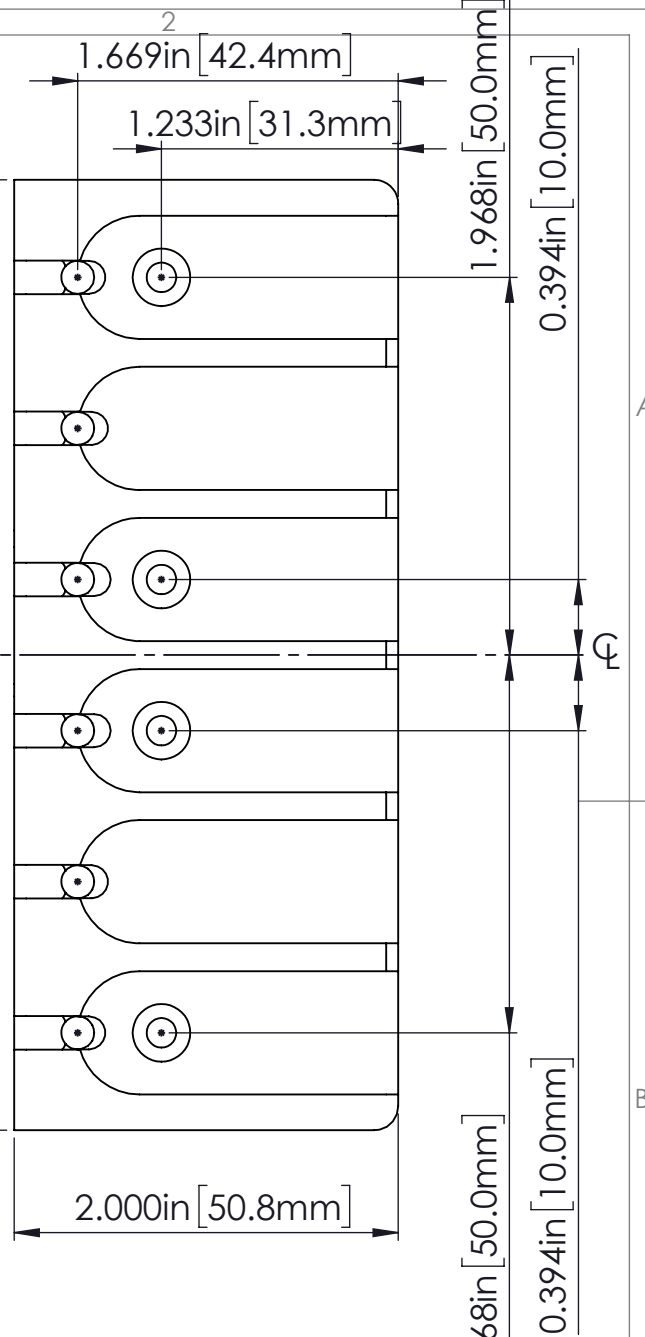


0.40in [10mm]  
(MIN STRING HEIGHT)

QUICK RELEASE CHANNELS



4.950in [125.7mm]



2.000in [50.8mm]

1.968in [50.0mm]

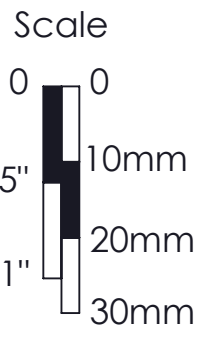
0.394in [10.0mm]

1.968in [50.0mm]

0.394in [10.0mm]

1.669in [42.4mm]

1.233in [31.3mm]



WEIGHT (WITH MOUNTING HARDWARE):  
ALUM: 7.2oz [204g] BRASS: 14.0oz [397g]

THIS DRAWING IS THE SOLE PROPERTY OF HIPSHOT PRODUCTS, INC. ALL RIGHTS ARE RESERVED. DIMENSIONS AND PRODUCT FEATURES MAY CHANGE WITHOUT NOTICE.  
UNLESS OTHERWISE SPECIFIED: DIMENSIONS ARE IN INCHES TOLERANCE: ±.005  
REV DATE: 4/18/2021

5A600-787 6 STG A STYLE  
BASS BRIDGE .787 SPACING  
DIMENSIONS

**SHOCK** **HIPSHOT**  
8248 STATE ROUTE 96  
Interlaken, NY 14847 U.S.A.  
TEL: 607-532-9404 FAX: 607-532-9530  
E-MAIL: info@HipshotProducts.com