

WEIGHT (WITH MOUNTING HARDWARE): 12.3oz [348g]

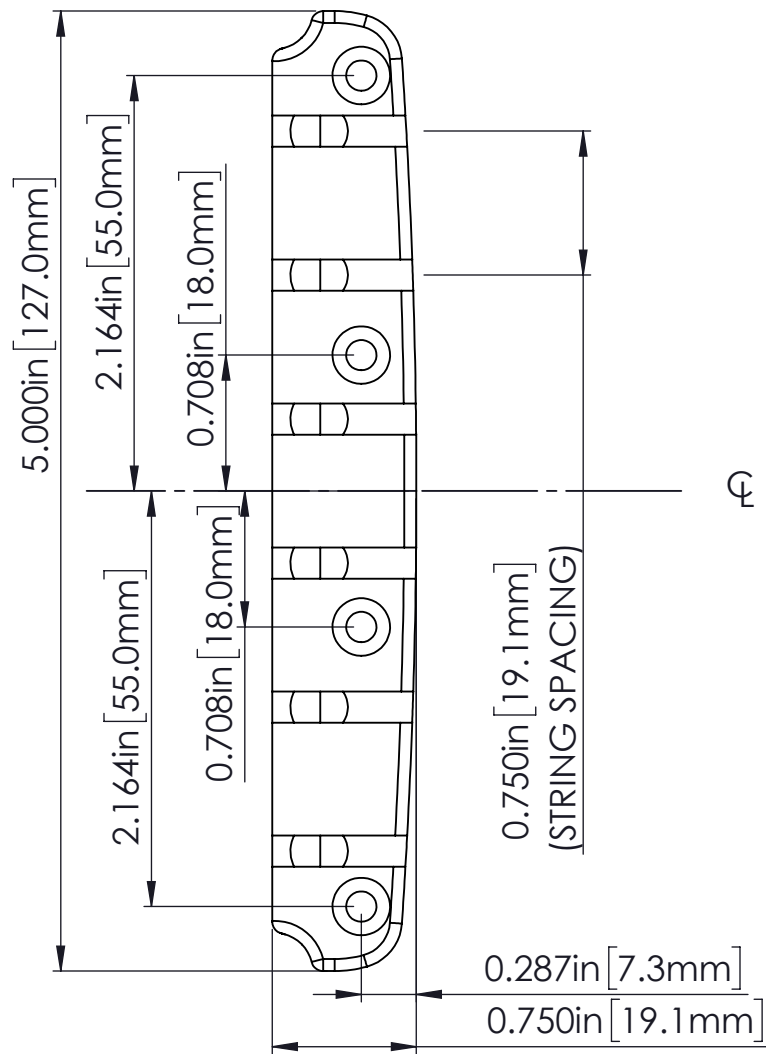
THIS DRAWING IS THE SOLE PROPERTY OF HIPSHOT PRODUCTS, INC. ALL RIGHTS ARE RESERVED. DIMENSIONS AND PRODUCT FEATURES MAY CHANGE WITHOUT NOTICE.

UNLESS OTHERWISE SPECIFIED; DIMENSIONS ARE IN INCHES TOLERANCE: ± .005

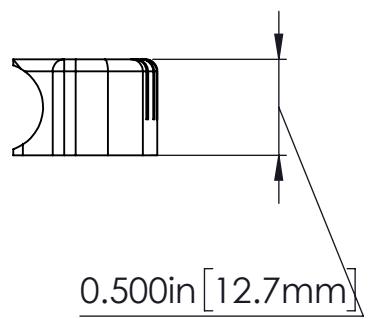
REV DATE: 6/10/2020

5D600-750 6 STG D STYLE - 750

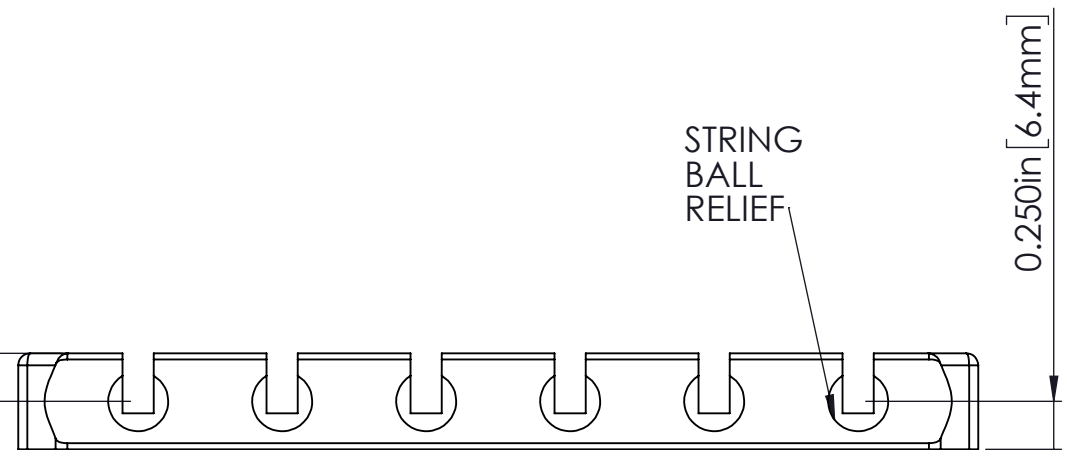
8248 STATE ROUTE 96
Interlaken, NY 14847 U.S.A.
TEL:607-532-9404 FAX:607-532-9530
E-MAIL: info@HipshotProducts.com



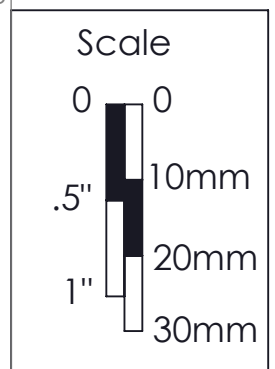
⌀



0.250in [6.4mm]



STRING BALL RELIEF



WEIGHT (WITH MOUNTING HARDWARE): 6.6oz[187g]

THIS DRAWING IS THE SOLE PROPERTY OF HIPSHOT PRODUCTS, INC. ALL RIGHTS ARE RESERVED. DIMENSIONS AND PRODUCT FEATURES MAY CHANGE WITHOUT NOTICE.

UNLESS OTHERWISE SPECIFIED: DIMENSIONS ARE IN INCHES TOLERANCE: ± .005

REV DATE: 6/10/2020

5D600-750 6 STG D STYLE - 750

8248 STATE ROUTE 96
 Interlaken, NY 14847 U.S.A.
 TEL:607-532-9404 FAX:607-532-9530
 E-MAIL: info@HipshotProducts.com