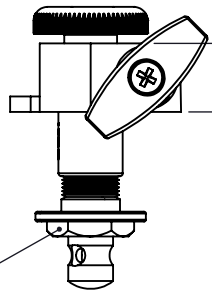
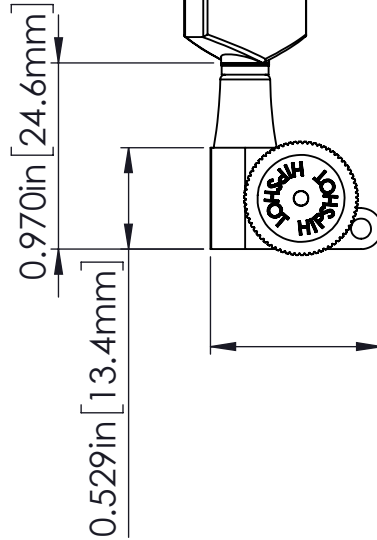


0.356in [9.0mm]



USE 10MM SOCKET FOR REACH NUT

STARTING IN 2021 ALL STRING POST LENGTHS ARE INDICATED ON TUNER SHANK.



0.970in [24.6mm]

0.529in [13.4mm]

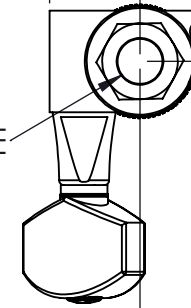
0.891in [22.6mm]

COMPATIBLE WITH 11/32in [8.5mm] STRING POST HOLE

2

0.472in [12.0mm]

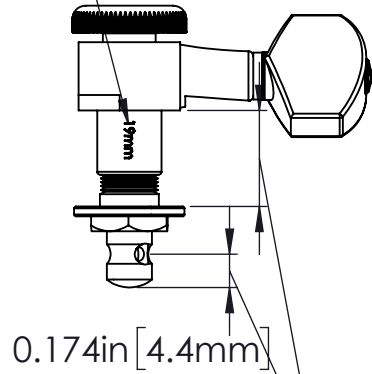
0.107in [2.7mm]



USE PILOT HOLE FOR #3 WOOD SCREW

0.158in [4.0mm]

0.313in [7.9mm] DISTANCE FROM CENTER OF STRING POST HOLE TO CENTER OF MOUNTING SCREW HOLE



0.174in [4.4mm]

.750 [19mm]

0.748in [19.0mm]

0.580in [14.7mm] MAX HEADSTOCK THICKNESS

.787 [20mm]

0.787in [20.0mm]

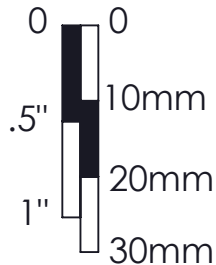
0.619in [15.7mm] MAX HEADSTOCK THICKNESS

.827 [21mm]

0.827in [21.0mm]

0.630in [16.0mm] MAX HEADSTOCK THICKNESS

Scale



0.500in [12.7mm] MIN HEADSTOCK THICKNESS (SAME FOR ALL TUNERS)

\*Universal Mount Plate adds 1mm to headstock thickness.

WEIGHT (WITH MOUNTING HARDWARE): 1.2oz [34g]

THIS DRAWING IS THE SOLE PROPERTY OF HIPSHOT PRODUCTS, INC. ALL RIGHTS ARE RESERVED. DIMENSIONS AND PRODUCT FEATURES MAY CHANGE WITHOUT NOTICE.

UNLESS OTHERWISE SPECIFIED: DIMENSIONS ARE IN INCHES TOLERANCE: ± .005

REV DATE: 10/3/2020

6VELO VINTAGE GRIP-LOCK CLOSED DIMENSIONS



8248 STATE ROUTE 96 Interlaken, NY 14847 U.S.A. TEL:607-532-9404 FAX:607-532-9530 E-MAIL: info@HipshotProducts.com