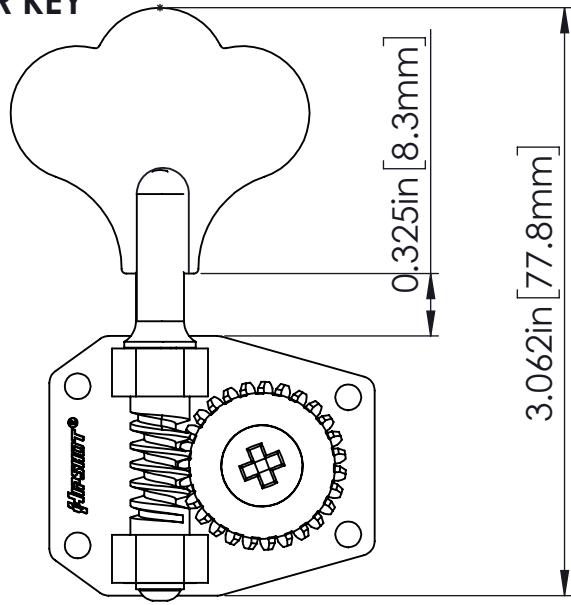
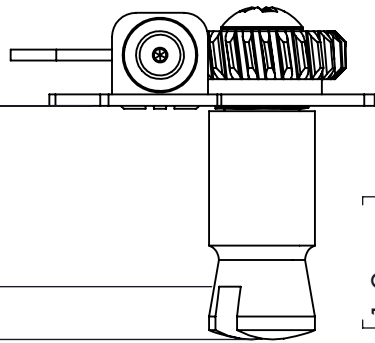


REGULAR KEY



1.216in [30.9mm]
0.941in [23.9mm]

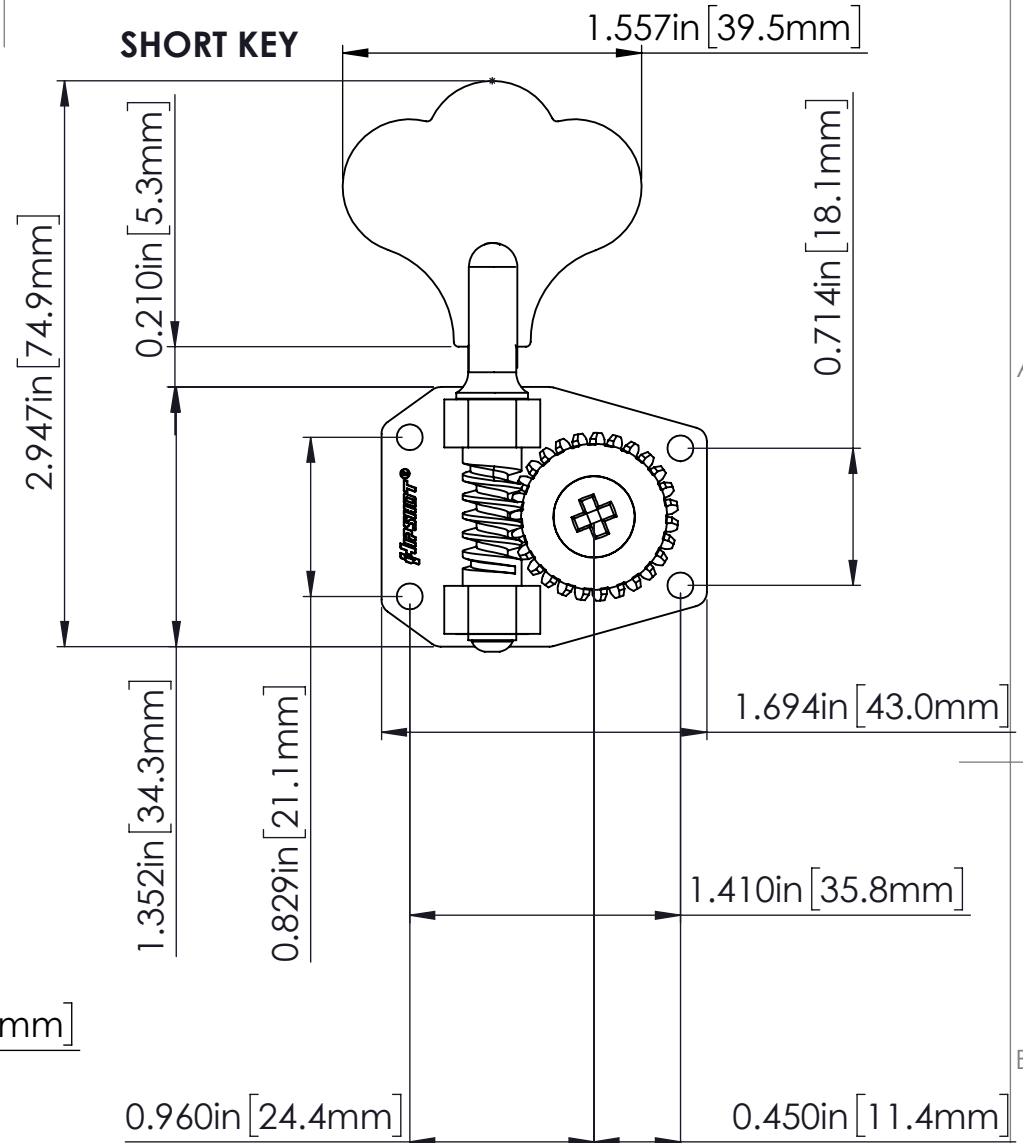


0.075in [1.9mm]

0.688in [17.5mm]

0.400in [10.2mm]

SHORT KEY



1.352in [34.3mm]

0.829in [21.1mm]

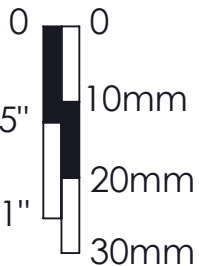
0.960in [24.4mm]

1.694in [43.0mm]

1.410in [35.8mm]

0.450in [11.4mm]

Scale



WEIGHT (WITH MOUNTING HARDWARE):
SHORT KEY 3.0oz [85g]
REGULAR KEY 3.1oz [88g]

THIS DRAWING IS THE SOLE PROPERTY OF HIPSHOT PRODUCTS, INC. ALL RIGHTS ARE RESERVED. DIMENSIONS AND PRODUCT FEATURES MAY CHANGE WITHOUT NOTICE.

UNLESS OTHERWISE SPECIFIED: DIMENSIONS ARE IN INCHES TOLERANCE: ± .005

REV DATE:
7/26/2023

20110 HB1 TUNING MACHINE
DIMENSIONS



8248 STATE ROUTE 96
Interlaken, NY 14847 U.S.A.
TEL:607-532-9404 FAX:607-532-9530
E-MAIL: info@HipshotProducts.com