

GEAR SCREW

WORM WHEEL

PILLOW BLOCKS

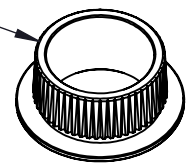
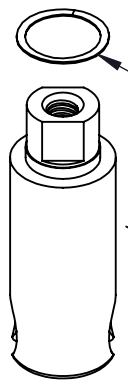
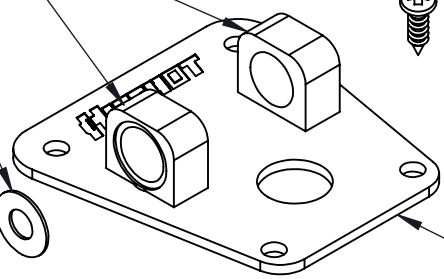
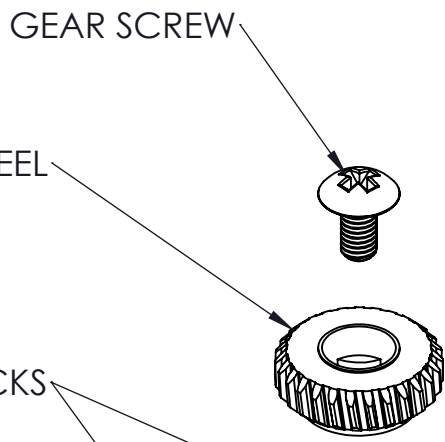
METAL WORM WASHER

NYLON WORM WASHER

WORM SCREW

(ADJUST WITH 1/16" HEX WRENCH)

BUSHING



#3 X 3/8" PAN HEAD MOUNT SCREW (X4)

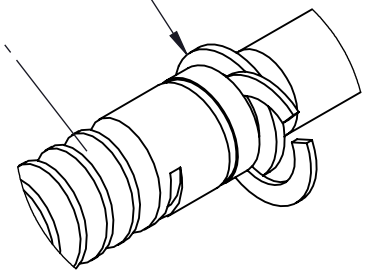
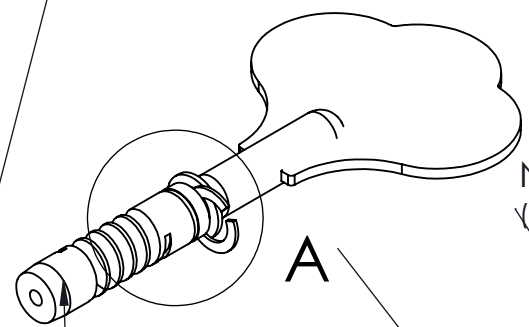
NYLON SPLIT WASHER
(MOUNTS IN WORM-KEY GROOVE)

WORM-KEY

BODY

WAVE WASHER

STRING POST



DETAIL A

SCALE 2 : 1

THIS DRAWING IS THE SOLE PROPERTY OF HIPSHOT PRODUCTS, INC. ALL RIGHTS ARE RESERVED. DIMENSIONS AND PRODUCT FEATURES MAY CHANGE WITHOUT NOTICE.

UNLESS OTHERWISE SPECIFIED; DIMENSIONS ARE IN INCHES TOLERANCE: ± .005

REV DATE: 6/28/2023

20210 HB2 EXPLODED DIAGRAM



8248 STATE ROUTE 96
Interlaken, NY 14847 U.S.A.
TEL:607-532-9404 FAX:607-532-9530
E-MAIL: info@HipshotProducts.com