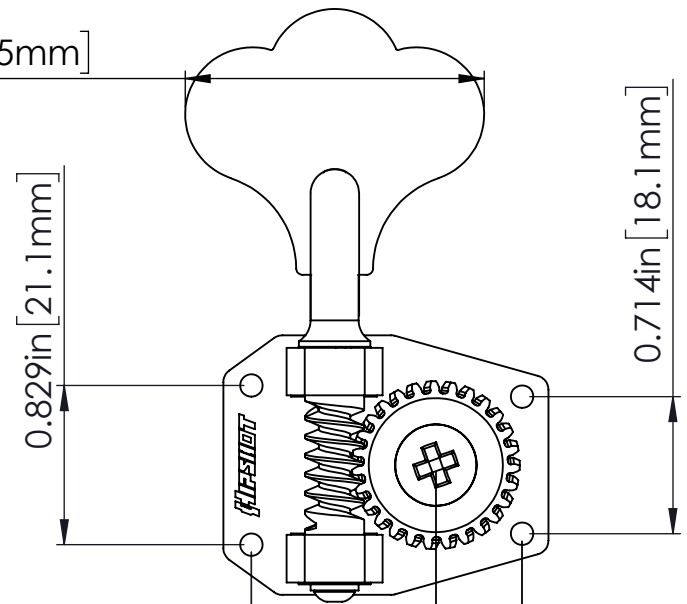


1.557in [39.5mm]



0.060in [1.5mm]

SMALL BUSHING

Ø0.563in [14.3mm]

0.438in [11.1mm]

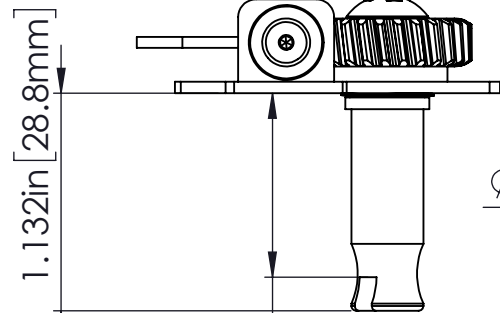
0.315in [8.0mm]

0.315in [8.0mm]

0.961in [24.4mm]

0.450in [11.4mm]

1.410in [35.8mm]



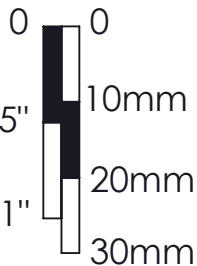
LARGE BUSHING

Ø0.665in [16.9mm]

0.060in [1.5mm]

0.500in [12.7mm]

Scale



WEIGHT (WITH MOUNTING HARDWARE): 2.5oz

THIS DRAWING IS THE SOLE PROPERTY OF HIPSHOT PRODUCTS, INC. ALL RIGHTS ARE RESERVED. DIMENSIONS AND PRODUCT FEATURES MAY CHANGE WITHOUT NOTICE.

UNLESS OTHERWISE SPECIFIED: DIMENSIONS ARE IN INCHES TOLERANCE: ± .005

REV DATE: 5/20/2020

20520 - HB5 BASS TUNING MACHINE



8248 STATE ROUTE 96
 Interlaken, NY 14847 U.S.A.
 TEL:607-532-9404 FAX:607-532-9530
 E-MAIL: info@HipsHOTProducts.com