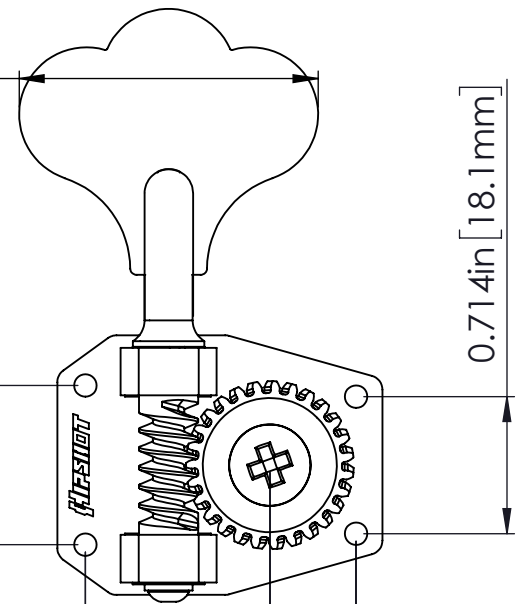


1.557in [39.5mm]

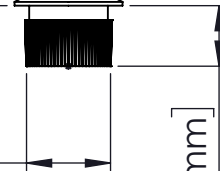


0.060in [1.5mm]

**SMALL BUSHING**

Ø0.563in [14.3mm]

0.438in [11.1mm]



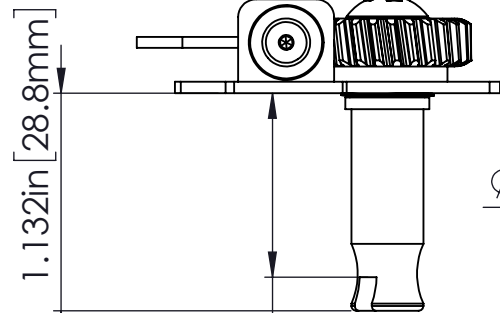
0.315in [8.0mm]

0.315in [8.0mm]

0.961in [24.4mm]

0.450in [11.4mm]

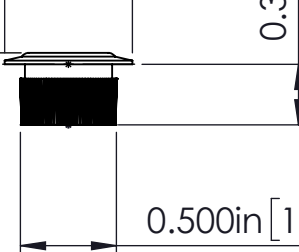
1.410in [35.8mm]



**LARGE BUSHING**

Ø0.665in [16.9mm]

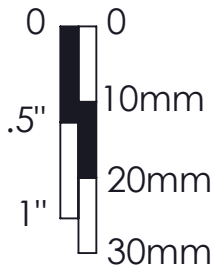
0.060in [1.5mm]



0.500in [12.7mm]

0.957in [24.3mm]

Scale



WEIGHT (WITH MOUNTING HARDWARE): 2.5oz [71g]

THIS DRAWING IS THE SOLE PROPERTY OF HIPSHOT PRODUCTS, INC. ALL RIGHTS ARE RESERVED. DIMENSIONS AND PRODUCT FEATURES MAY CHANGE WITHOUT NOTICE.

UNLESS OTHERWISE SPECIFIED: DIMENSIONS ARE IN INCHES TOLERANCE: ± .005

REV DATE: 12/18/2020

**20520 HB5 TUNING MACHINE DIMENSIONS**



8248 STATE ROUTE 96  
 Interlaken, NY 14847 U.S.A.  
 TEL:607-532-9404 FAX:607-532-9530  
 E-MAIL: info@HipshotProducts.com