

USE 9/16" SOCKET FOR NUT

0.490in [12.4mm]

1.246in [31.7mm]

0.720in [18.3mm]

0.082in [2.1mm]

1.330in [33.8mm]

0.750in [19.1mm]

0.141in [3.6mm]

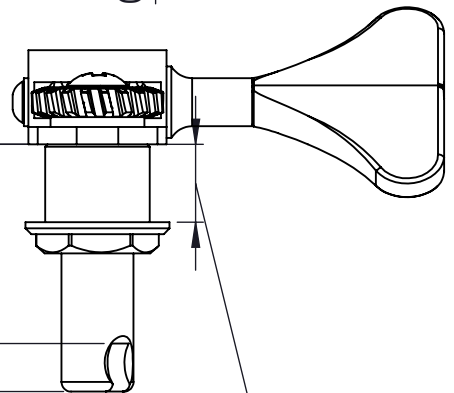
COMPATIBLE WITH 9/16in [14mm] HEADSTOCK HOLE

0.439in [11.2mm] DISTANCE FROM CENTER OF STRING POST HOLE TO CENTER OF MOUNTING SCREW HOLE

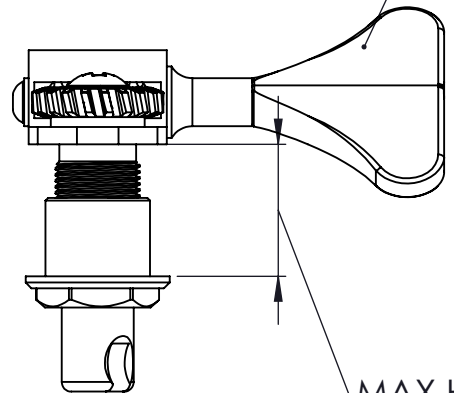
SHOWN WITH DEFAULT "Y" KEY STYLE. KEYS MADE AFTER 2021 ARE INTERCHANGEABLE. SEE KEY DIMS FOR DIMENSIONS

1.038in [26.4mm]

1.288in [32.7mm]

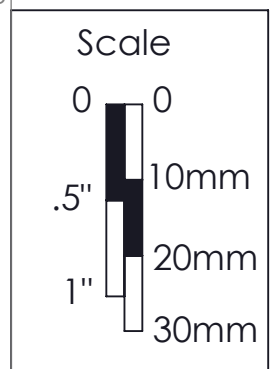


0.406in [10.3mm] MIN HEADSTOCK THICKNESS



0.688in [17.5mm] MAX HEADSTOCK THICKNESS

WEIGHT (WITH MOUNTING HARDWARE): 1.50oz [43g]



THIS DRAWING IS THE SOLE PROPERTY OF HIPSHOT PRODUCTS, INC. ALL RIGHTS ARE RESERVED. DIMENSIONS AND PRODUCT FEATURES MAY CHANGE WITHOUT NOTICE.

UNLESS OTHERWISE SPECIFIED: DIMENSIONS ARE IN INCHES TOLERANCE: ± .005

REV DATE: 2/15/2021

20650SK ULTRALITE 3-8 SHORT Y KEY



8248 STATE ROUTE 96 Interlaken, NY 14847 U.S.A. TEL: 607-532-9404 FAX: 607-532-9530 E-MAIL: info@HipshotProducts.com