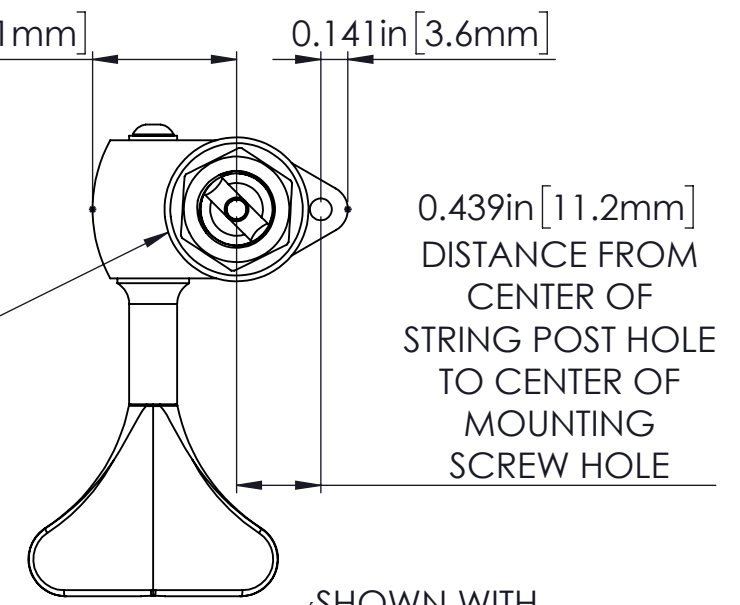
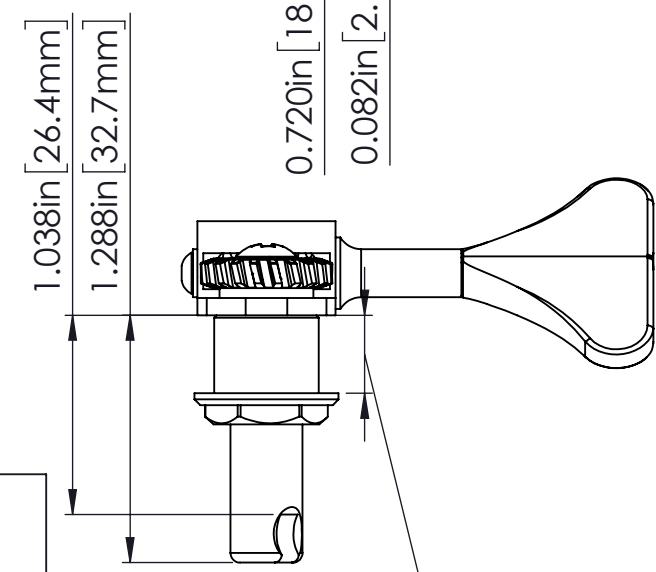


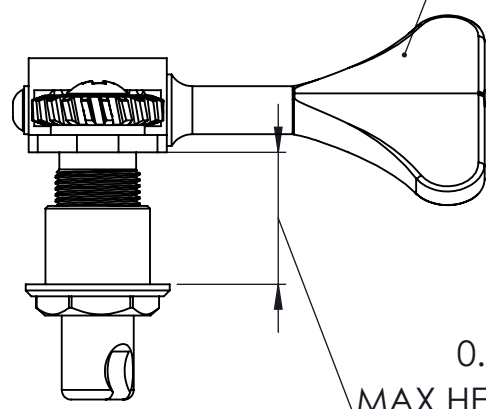
COMPATIBLE WITH
9/16in [14mm]
HEADSTOCK HOLE



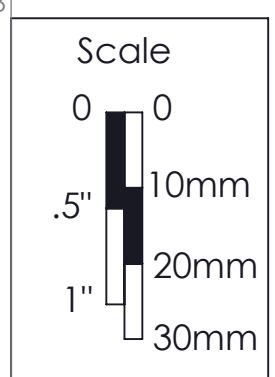
SHOWN WITH
DEFAULT "Y" KEY
STYLE. KEYS MADE AFTER
2021 ARE
INTERCHANGEABLE.
SEE KEY DIMS
FOR DIMENSIONS



0.406in [10.3mm]
MIN HEADSTOCK
THICKNESS



0.688in [17.5mm]
MAX HEADSTOCK THICKNESS



WEIGHT (WITH MOUNTING HARDWARE): 1.49oz [42g]

THIS DRAWING IS THE SOLE PROPERTY OF HIPSHOT PRODUCTS, INC. ALL RIGHTS ARE RESERVED. DIMENSIONS AND PRODUCT FEATURES MAY CHANGE WITHOUT NOTICE.
UNLESS OTHERWISE SPECIFIED: DIMENSIONS ARE IN INCHES TOLERANCE: ± .005
REV DATE: 2/15/2021

20650 ULTRALITE 3-8 Y KEY

8248 STATE ROUTE 96
Interlaken, NY 14847 U.S.A.
TEL:607-532-9404 FAX:607-532-9530
E-MAIL: info@HipshotProducts.com