

USE 3/4"  
SOCKET  
FOR NUT

0.490in [12.4mm]

0.750in [19.1mm]

0.141in [3.6mm]

0.439in [11.2mm]  
DISTANCE FROM  
CENTER OF  
STRING POST HOLE  
TO CENTER OF  
MOUNTING  
SCREW HOLE

COMPATIBLE WITH  
11/16in [17.5mm]  
HEADSTOCK HOLE

2.781in [70.6mm]

1.330in [33.8mm]

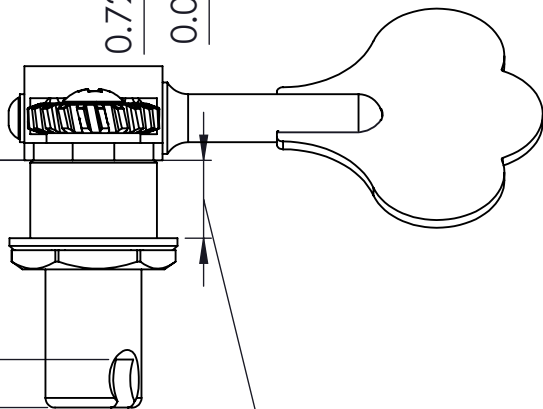
1.557in [39.5mm]

1.038in [26.4mm]

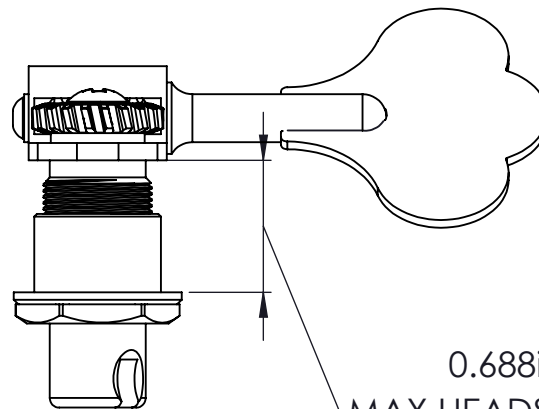
1.288in [32.7mm]

0.720in [18.3mm]

0.082in [2.1mm]



0.406in [10.3mm]  
MIN HEADSTOCK  
THICKNESS



0.688in [17.5mm]  
MAX HEADSTOCK THICKNESS

WEIGHT (WITH MOUNTING HARDWARE): 1.95oz [55g]

Scale



THIS DRAWING IS THE SOLE PROPERTY OF HIPSHOT PRODUCTS, INC. ALL RIGHTS ARE RESERVED. DIMENSIONS AND PRODUCT FEATURES MAY CHANGE WITHOUT NOTICE.

UNLESS OTHERWISE SPECIFIED: DIMENSIONS ARE IN INCHES TOLERANCE: ± .005

REV DATE:  
2/15/2021

20675 ULTRALITE 1-2 CLOVER  
KEY



8248 STATE ROUTE 96

Interlaken, NY 14847 U.S.A.

TEL: 607-532-9404 FAX: 607-532-9530

E-MAIL: info@hipshotproducts.com