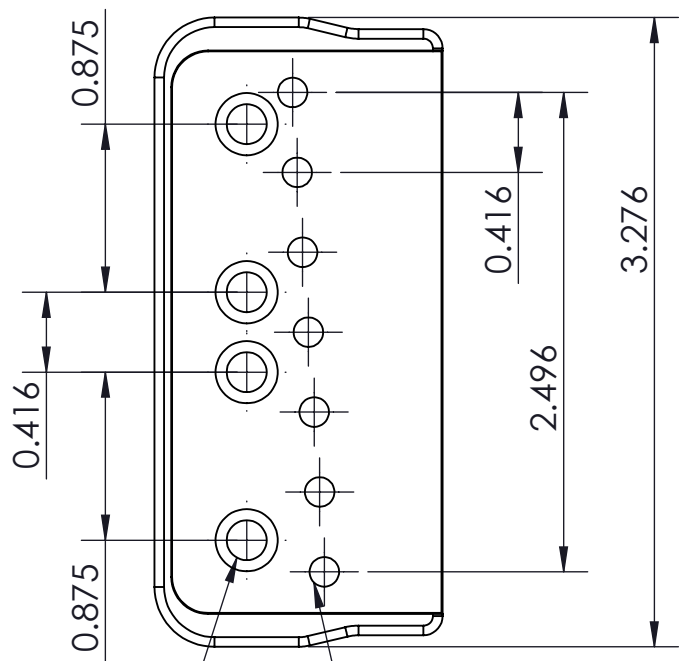
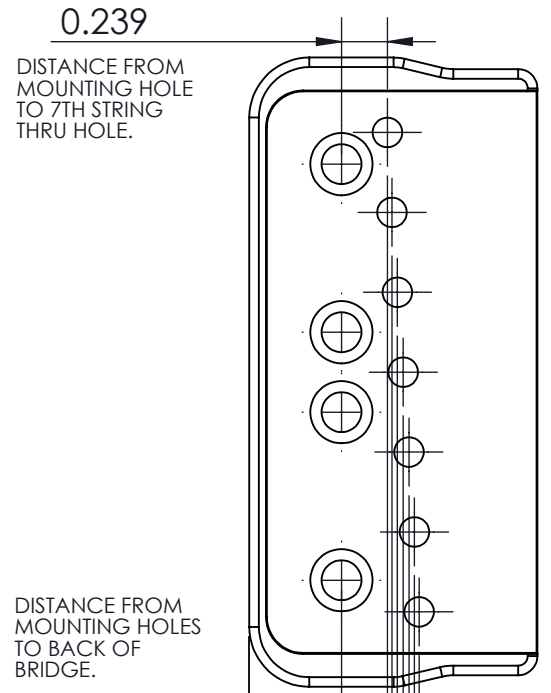


0.387
MAX INTONATION

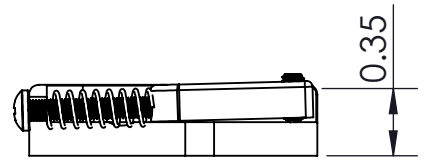
0.022
MIN INTONATION



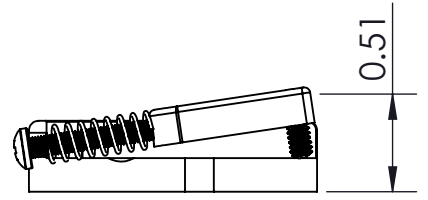
0.875
0.416
0.875
0.416
2.496
3.276
.178 MOUNTING HOLE DIAMETER. (USE 5/64" PILOT DRILL)
.156 STRING THRU HOLE DIAMETER (USE 5/32" DRILL)



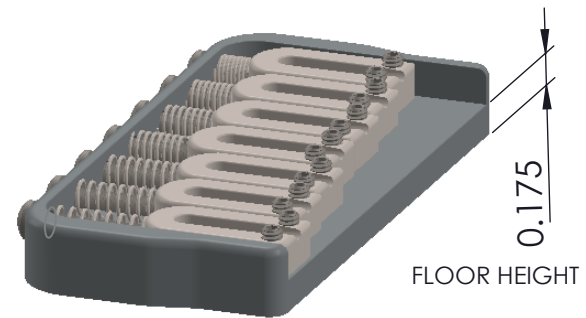
0.239
DISTANCE FROM MOUNTING HOLE TO 7TH STRING THRU HOLE.
DISTANCE FROM MOUNTING HOLES TO BACK OF BRIDGE.
0.480



0.35
MIN STRING HEIGHT (BOTTOM OF STRING TO FACE OF GUITAR)



0.51
MAX STRING HEIGHT (BOTTOM OF STRING TO FACE OF GUITAR)



0.175
FLOOR HEIGHT

0.719
0.743
0.771
0.801
0.831
0.860
0.884
DISTANCE FROM STRING THRU HOLES TO BACK OF BRIDGE.

WEIGHT (WITH MOUNTING HARDWARE): 6.08 oz

THIS DRAWING IS THE SOLE PROPERTY OF HIPSHOT PRODUCTS, INC. ALL RIGHTS ARE RESERVED. DIMENSIONS AND PRODUCT FEATURES ARE SUBJECT TO CHANGE WITHOUT NOTICE.

UNLESS OTHERWISE SPECIFIED: DIMENSIONS ARE IN INCHES TOLERANCE: ± .005

IMAGE NOT DRAWN TO SCALE

7 STG. FIXED BRIDGE .175



8248 STATE ROUTE 96
Interlaken, NY 14847 U.S.A.
TEL:607-532-9404 FAX:607-532-9530
E-MAIL: info@HipshotProducts.com