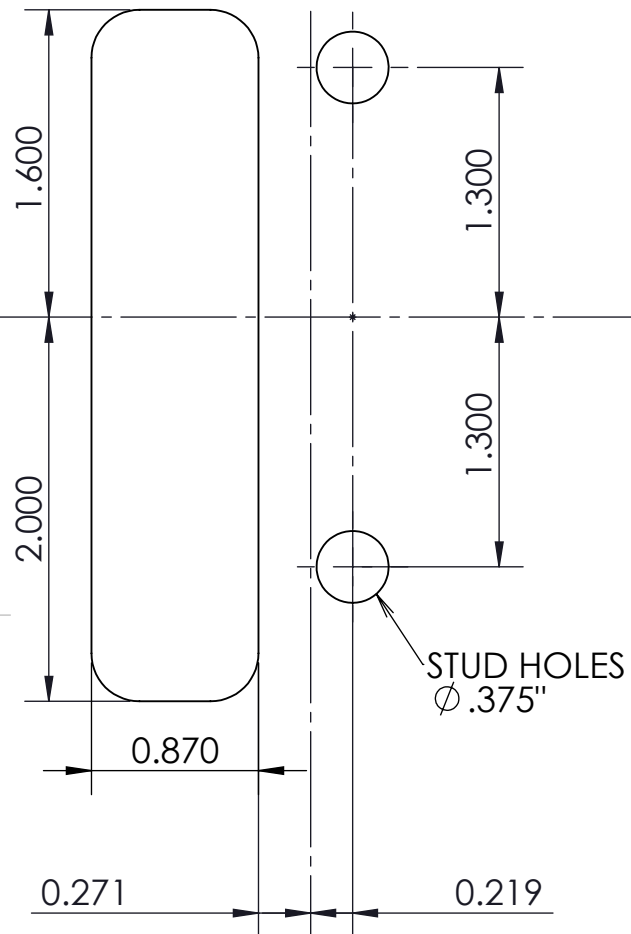


TOP ROUTING TEMPLATE

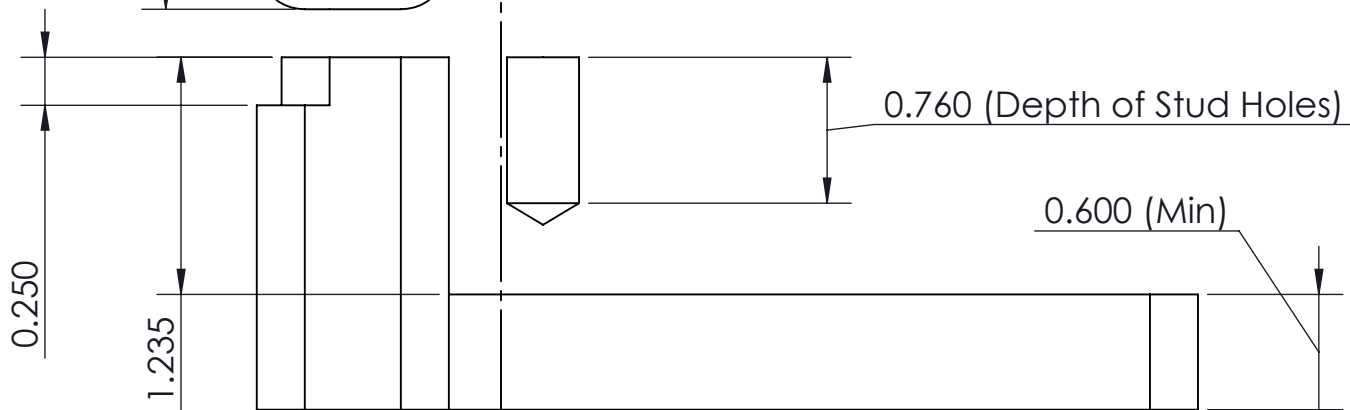


STUD HOLES
 $\varnothing .375"$

Scale Line

F

BOTTOM ROUTING TEMPLATE



ROUTING DEPTHS (SIDE VIEW)

THIS DRAWING IS THE SOLE PROPERTY OF HIPSHOT PRODUCTS, INC.
 ALL RIGHTS ARE RESERVED.
 DIMENSIONS AND PRODUCT FEATURES ARE SUBJECT TO CHANGE
 WITHOUT NOTICE.

UNLESS OTHERWISE SPECIFIED:
 DIMENSIONS ARE IN INCHES
 TOLERANCE: $\pm .005$

IMAGE NOT DRAWN
 TO SCALE



8248 STATE ROUTE 96
 Interlaken, NY 14847 U.S.A.
 TEL: 607-532-9404 FAX: 607-532-9530
 E-MAIL: info@HipshotProducts.com

7 STG US Contour Route Template