

THIS DRAWING IS THE SOLE PROPERTY OF HIPSHOT PRODUCTS, INC. ALL RIGHTS ARE RESERVED. DIMENSIONS AND PRODUCT FEATURES ARE SUBJECT TO CHANGE WITHOUT NOTICE.

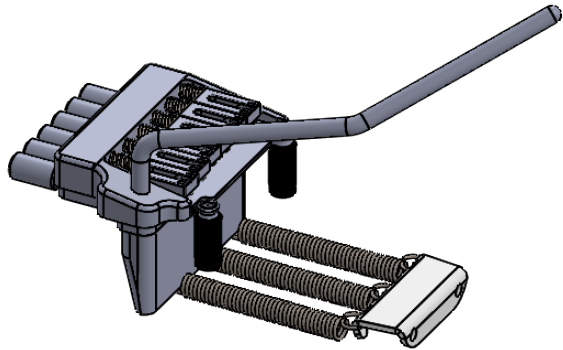
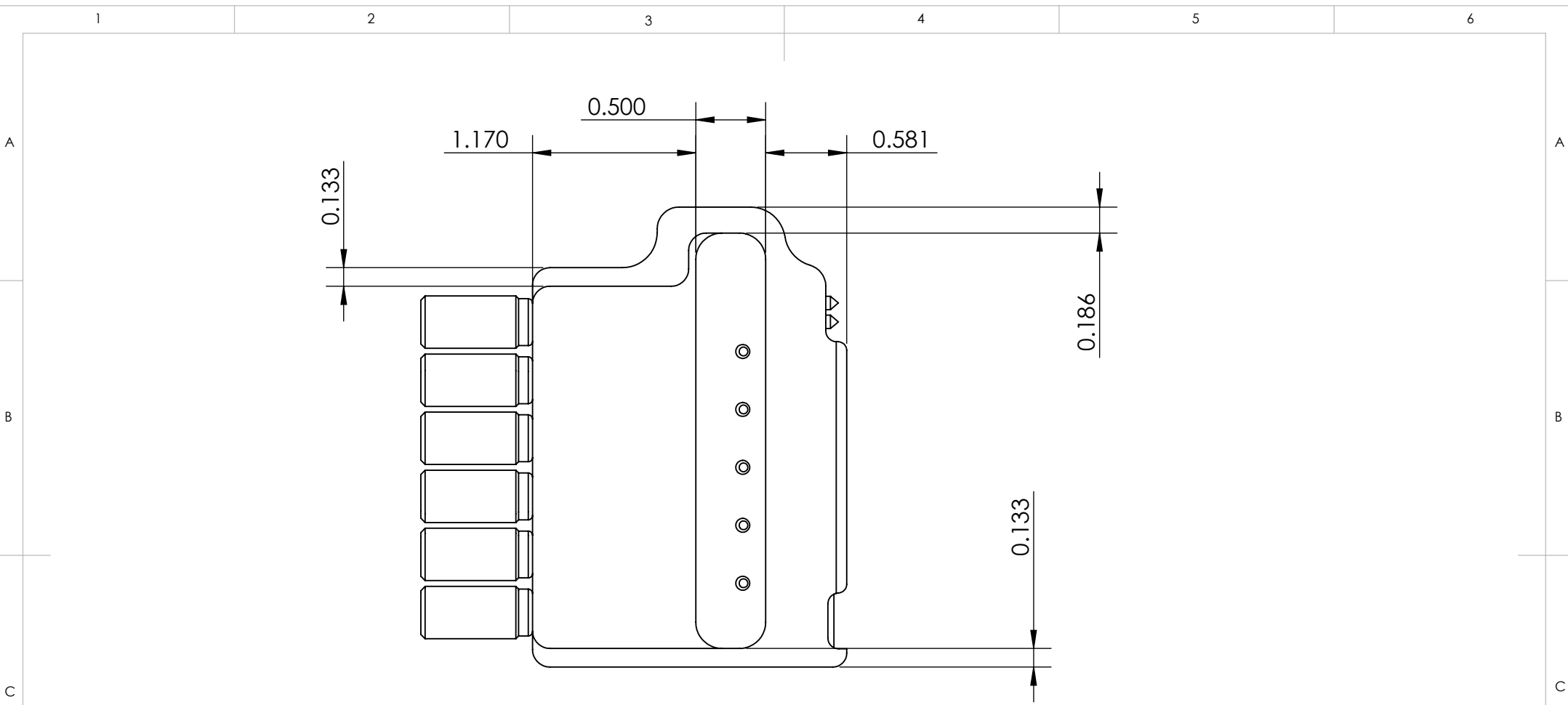
UNLESS OTHERWISE SPECIFIED: DIMENSIONS ARE IN INCHES TOLERANCE: ± .005

IMAGE NOT DRAWN TO SCALE

**6 STG Headless Tremolo**

**HiPSHOT**

8248 STATE ROUTE 96  
 Interlaken, NY 14847 U.S.A.  
 TEL: 607-532-9404 FAX: 607-532-9530  
 E-MAIL: info@HipshotProducts.com



WEIGHT (WITH MOUNTING HARDWARE): 20.7oz

THIS DRAWING IS THE SOLE PROPERTY OF HIPSHOT PRODUCTS, INC.  
 ALL RIGHTS ARE RESERVED.  
 DIMENSIONS AND PRODUCT FEATURES ARE SUBJECT TO CHANGE  
 WITHOUT NOTICE.

UNLESS OTHERWISE SPECIFIED:  
 DIMENSIONS ARE IN INCHES  
 TOLERANCE:  $\pm .005$

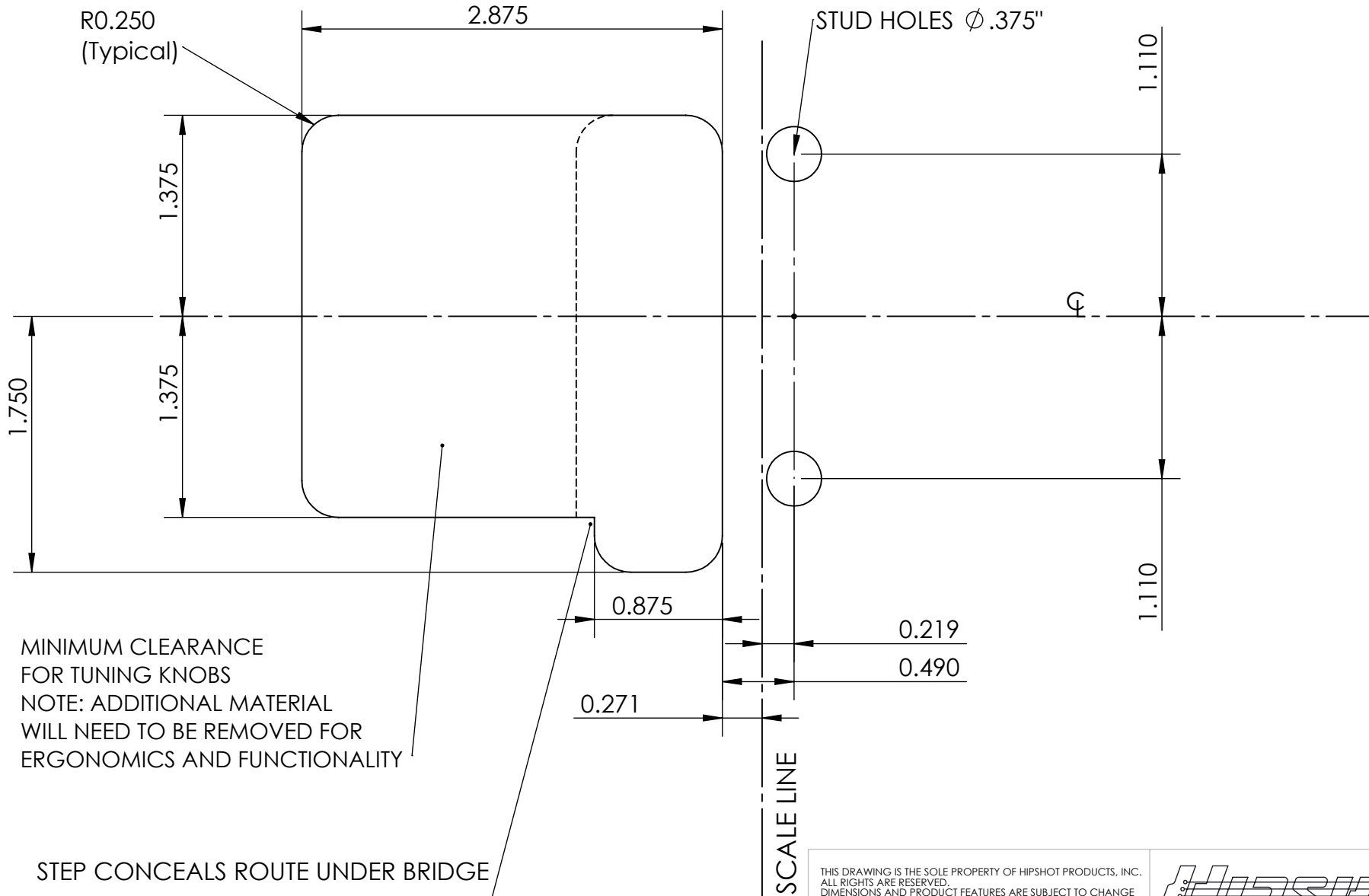
IMAGE NOT DRAWN  
 TO SCALE

6 STG Headless Tremolo



8248 STATE ROUTE 96  
 Interlaken, NY 14847 U.S.A.  
 TEL: 607-532-9404 FAX: 607-532-9530  
 E-MAIL: info@HipshotProducts.com

TOP ROUTING  
TEMPLATE



THIS DRAWING IS THE SOLE PROPERTY OF HIPSHOT PRODUCTS, INC.  
ALL RIGHTS ARE RESERVED.  
DIMENSIONS AND PRODUCT FEATURES ARE SUBJECT TO CHANGE  
WITHOUT NOTICE.

UNLESS OTHERWISE SPECIFIED:  
DIMENSIONS ARE IN INCHES  
TOLERANCE:  $\pm$ .005

IMAGE NOT DRAWN  
TO SCALE



8248 STATE ROUTE 96  
Interlaken, NY 14847 U.S.A.  
TEL: 607-532-9404 FAX: 607-532-9530  
E-MAIL: info@HipshotProducts.com

6 STG Headless Tremolo  
Route Template

**SIDE AND BOTTOM ROUTING TEMPLATE**

A

B

C

D

A

B

C

D

0.985

0.300

0.219

0.760

ADDITIONAL MATERIAL  
MAY NEED REMOVING  
FOR SPRING CLEARANCE

MINIMUM CLEARANCE  
FOR TUNING KNOBS  
NOTE: ADDITIONAL MATERIAL  
WILL NEED TO BE REMOVED FOR  
ERGONOMICS AND FUNCTIONALITY

0.600  
(MINIMUM)

STEP CONCEALS  
ROUTE UNDER BRIDGE

3.900

0.271

1.125

1.125

**BOTTOM  
ROUTE TEMPLATE**

1.750

1.375

1.000

SCALE LINE

THIS DRAWING IS THE SOLE PROPERTY OF HIPSHOT PRODUCTS, INC.  
ALL RIGHTS ARE RESERVED.  
DIMENSIONS AND PRODUCT FEATURES ARE SUBJECT TO CHANGE  
WITHOUT NOTICE.

UNLESS OTHERWISE SPECIFIED:  
DIMENSIONS ARE IN INCHES  
TOLERANCE: ± .005

IMAGE NOT DRAWN  
TO SCALE



8248 STATE ROUTE 96  
Interlaken, NY 14847 U.S.A.  
TEL:607-532-9404 FAX:607-532-9530  
E-MAIL: info@HipshotProducts.com

**6 STG Headless Tremolo  
Route Template**

1

2

3

5

6