

THIS DRAWING IS THE SOLE PROPERTY OF HIPSHOT PRODUCTS, INC. ALL RIGHTS ARE RESERVED. DIMENSIONS AND PRODUCT FEATURES ARE SUBJECT TO CHANGE WITHOUT NOTICE.

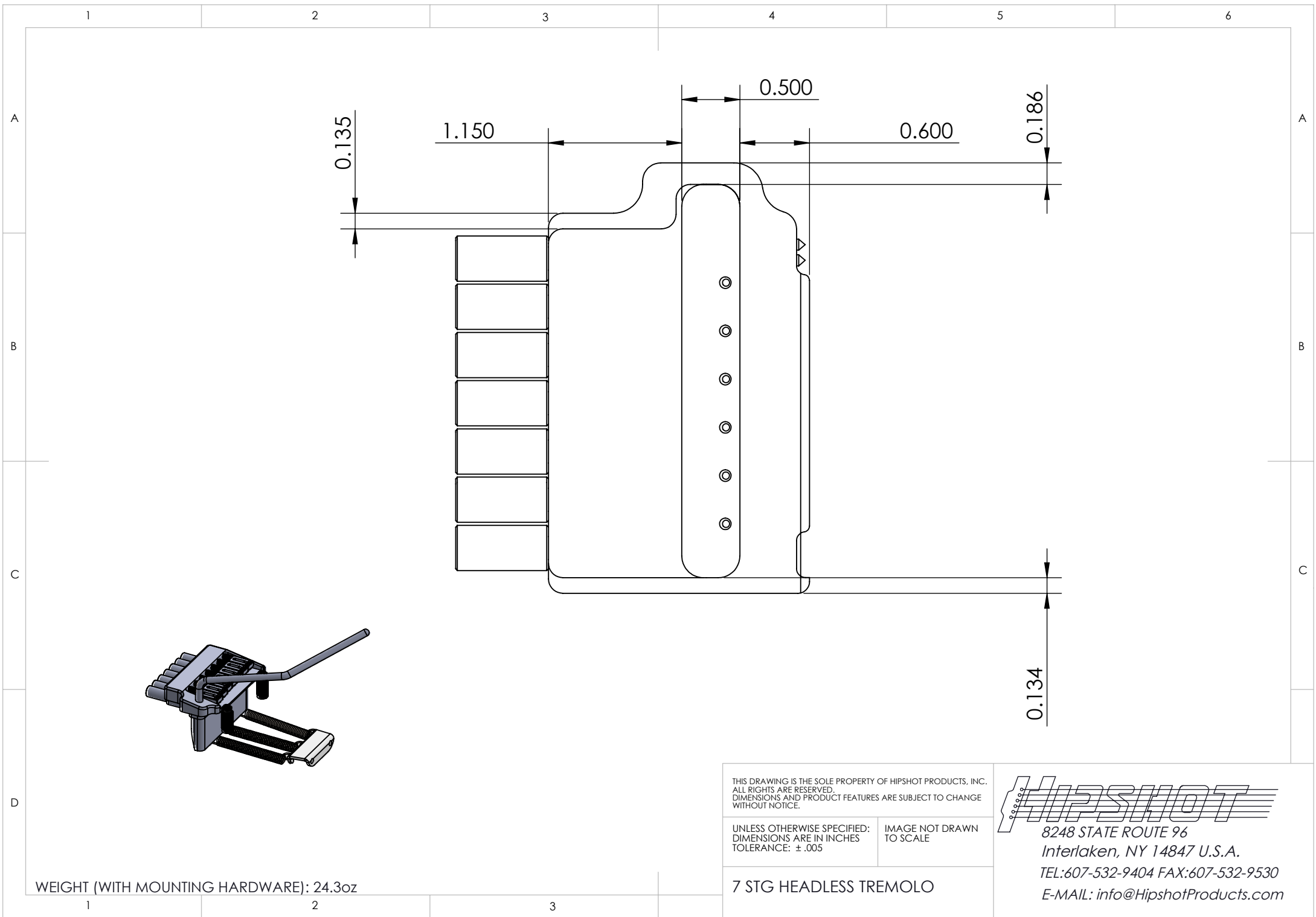
UNLESS OTHERWISE SPECIFIED: DIMENSIONS ARE IN INCHES TOLERANCE: ± .005

IMAGE NOT DRAWN TO SCALE

7 STG HEADLESS TREMOLO

HIPSHOT

8248 STATE ROUTE 96
 Interlaken, NY 14847 U.S.A.
 TEL: 607-532-9404 FAX: 607-532-9530
 E-MAIL: info@HipshotProducts.com



WEIGHT (WITH MOUNTING HARDWARE): 24.3oz

THIS DRAWING IS THE SOLE PROPERTY OF HIPSHOT PRODUCTS, INC.
 ALL RIGHTS ARE RESERVED.
 DIMENSIONS AND PRODUCT FEATURES ARE SUBJECT TO CHANGE
 WITHOUT NOTICE.

UNLESS OTHERWISE SPECIFIED:
 DIMENSIONS ARE IN INCHES
 TOLERANCE: ± .005

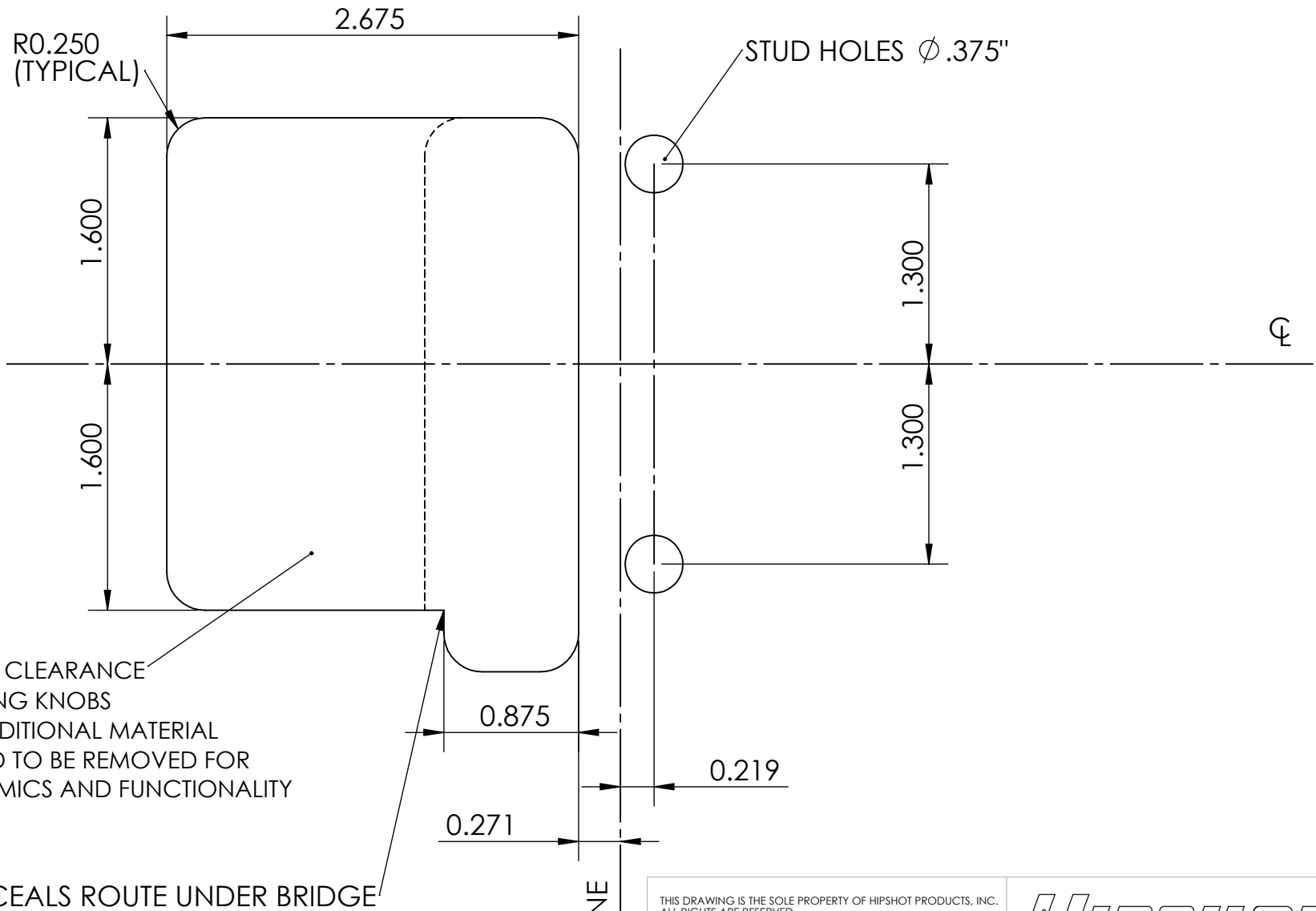
IMAGE NOT DRAWN
 TO SCALE

7 STG HEADLESS TREMOLO



8248 STATE ROUTE 96
 Interlaken, NY 14847 U.S.A.
 TEL: 607-532-9404 FAX: 607-532-9530
 E-MAIL: info@HipshotProducts.com

TOP ROUTING TEMPLATE



THIS DRAWING IS THE SOLE PROPERTY OF HIPSHOT PRODUCTS, INC. ALL RIGHTS ARE RESERVED. DIMENSIONS AND PRODUCT FEATURES ARE SUBJECT TO CHANGE WITHOUT NOTICE.

UNLESS OTHERWISE SPECIFIED: DIMENSIONS ARE IN INCHES TOLERANCE: \pm .005

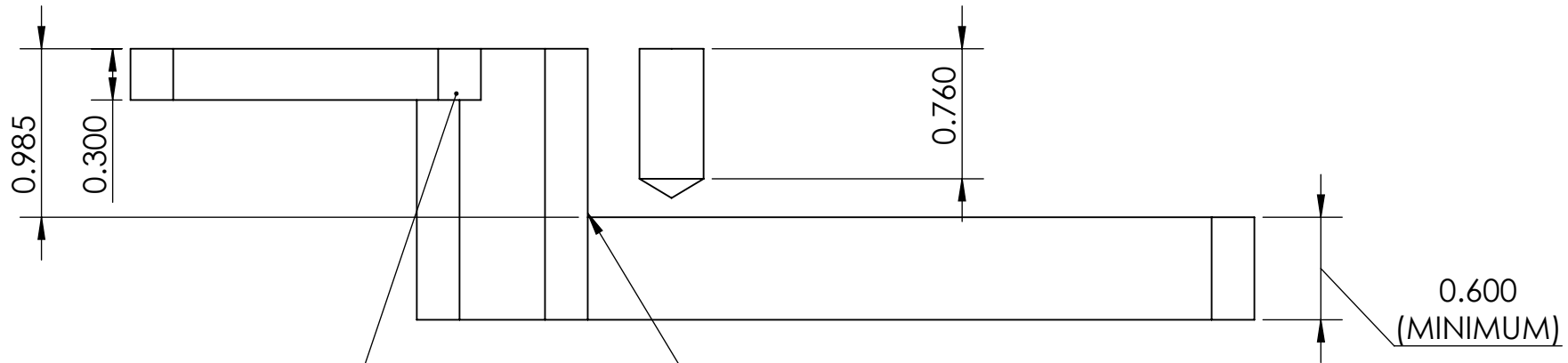
IMAGE NOT DRAWN TO SCALE

7 STG HEADLESS TREMOLO ROUTE TEMPLATE



8248 STATE ROUTE 96
Interlaken, NY 14847 U.S.A.
TEL:607-532-9404 FAX:607-532-9530
E-MAIL: info@HipshotProducts.com

SIDE ROUTING TEMPLATE



STEP CONCEALS ROUTE UNDER BRIDGE

ADDITIONAL MATERIAL MAY NEED REMOVING FOR SPRING CLEARANCE

THIS DRAWING IS THE SOLE PROPERTY OF HIPSHOT PRODUCTS, INC. ALL RIGHTS ARE RESERVED. DIMENSIONS AND PRODUCT FEATURES ARE SUBJECT TO CHANGE WITHOUT NOTICE.

UNLESS OTHERWISE SPECIFIED: DIMENSIONS ARE IN INCHES TOLERANCE: ± .005

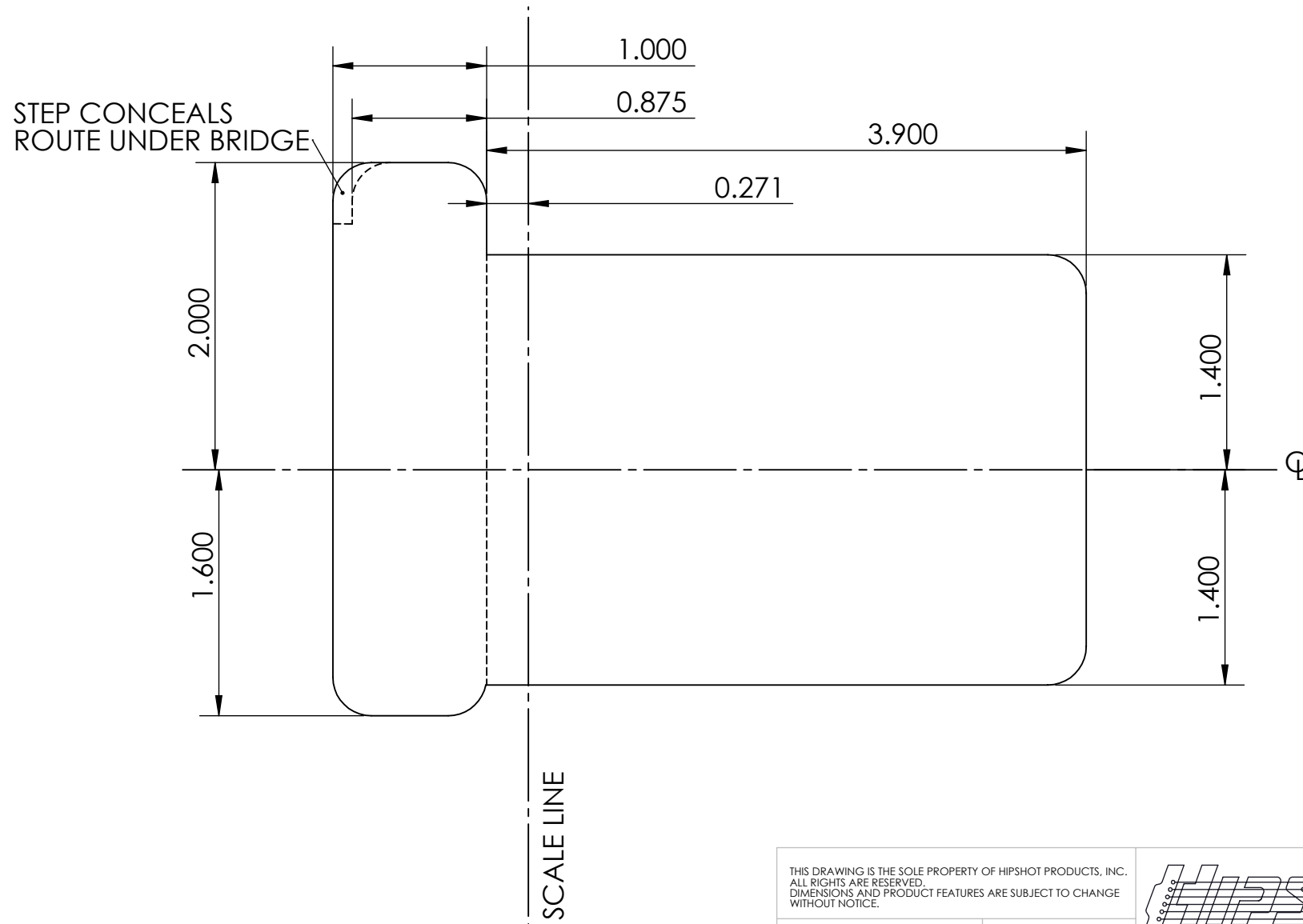
IMAGE NOT DRAWN TO SCALE



8248 STATE ROUTE 96
 Interlaken, NY 14847 U.S.A.
 TEL: 607-532-9404 FAX: 607-532-9530
 E-MAIL: info@HipshotProducts.com

7 STG HEADLESS TREMOLO ROUTE TEMPLATE

BOTTOM ROUTING TEMPLATE



THIS DRAWING IS THE SOLE PROPERTY OF HIPSHOT PRODUCTS, INC.
 ALL RIGHTS ARE RESERVED.
 DIMENSIONS AND PRODUCT FEATURES ARE SUBJECT TO CHANGE
 WITHOUT NOTICE.

UNLESS OTHERWISE SPECIFIED:
 DIMENSIONS ARE IN INCHES
 TOLERANCE: ± .005

IMAGE NOT DRAWN
 TO SCALE



8248 STATE ROUTE 96
 Interlaken, NY 14847 U.S.A.
 TEL: 607-532-9404 FAX: 607-532-9530
 E-MAIL: info@HipshotProducts.com

7 STG HEADLESS TREMOLO
 ROUTE TEMPLATE