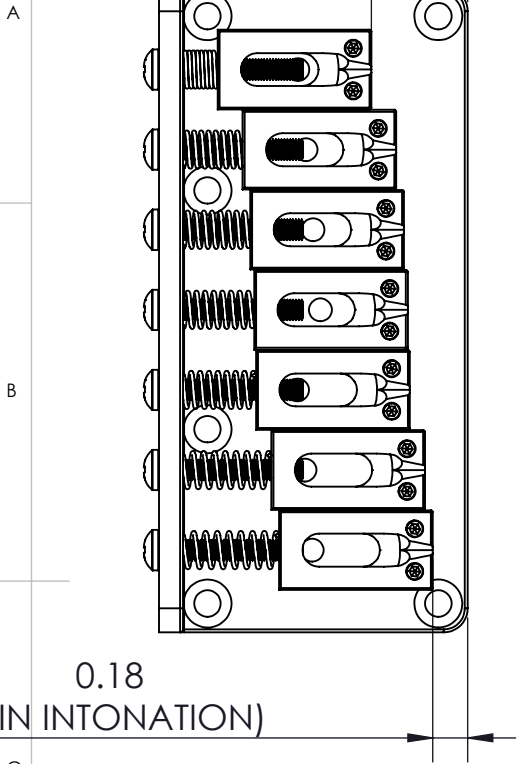
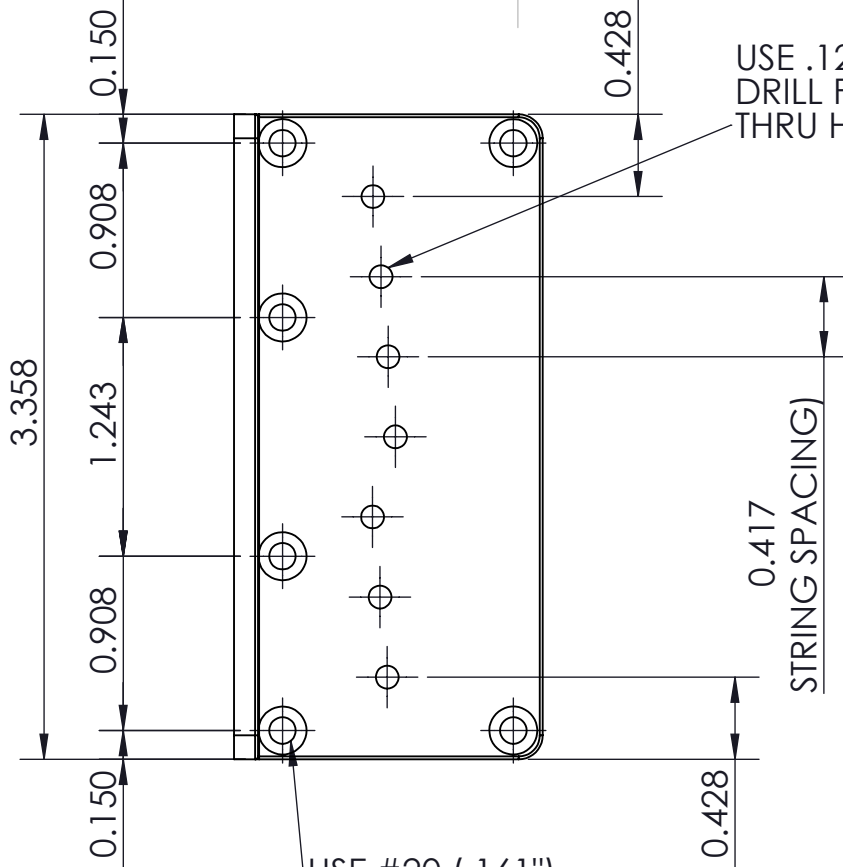


0.50
(MAX INTONATION)



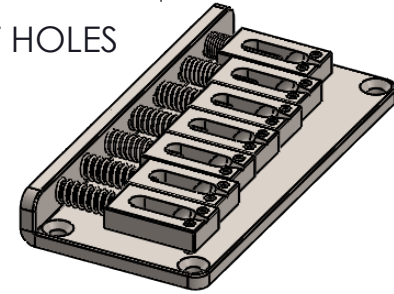
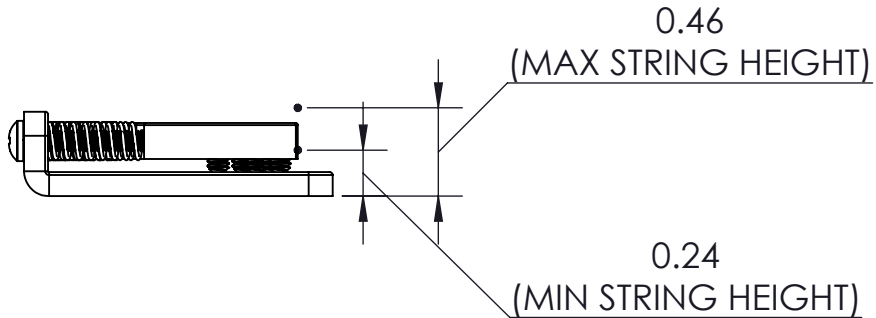
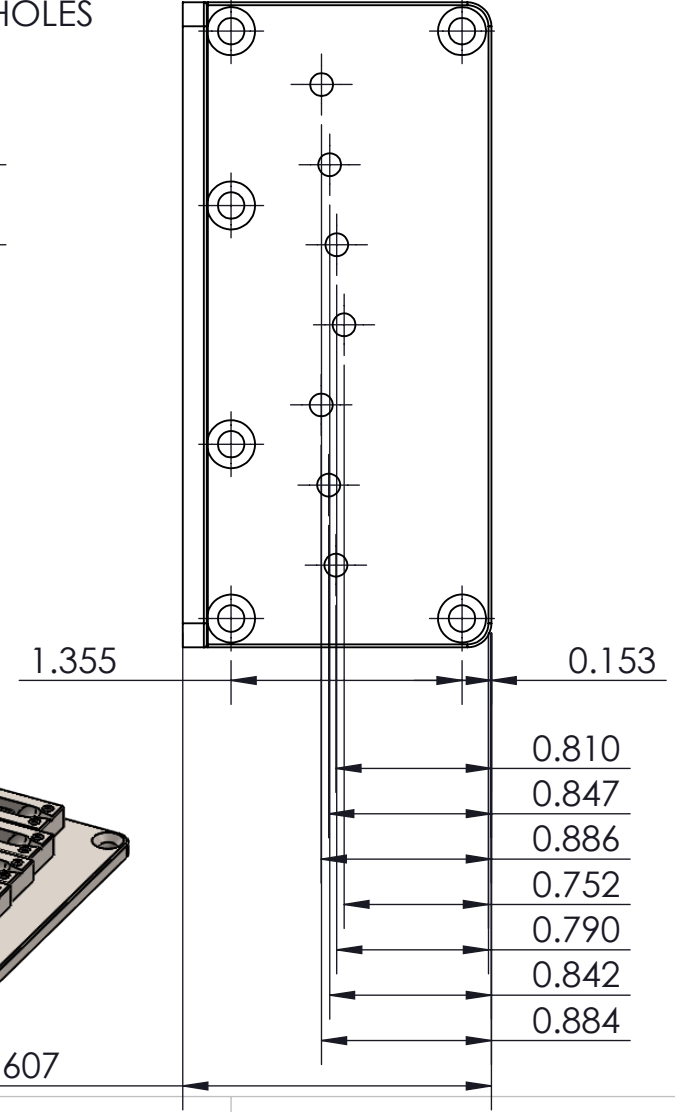
0.18
(MIN INTONATION)



USE .125"
DRILL FOR STRING
THRU HOLES

0.417
STRING SPACING)

USE #20 (.161")
DRILL FOR PILOT HOLES



WEIGHT (WITH MOUNTING HARDWARE): 4.2 oz

THIS DRAWING IS THE SOLE PROPERTY OF HIPSHOT PRODUCTS, INC.
ALL RIGHTS ARE RESERVED.
DIMENSIONS AND PRODUCT FEATURES ARE SUBJECT TO CHANGE
WITHOUT NOTICE.

UNLESS OTHERWISE SPECIFIED:
DIMENSIONS ARE IN INCHES
TOLERANCE: ± .005

IMAGE NOT DRAWN
TO SCALE



8248 STATE ROUTE 96
Interlaken, NY 14847 U.S.A.
TEL:607-532-9404 FAX:607-532-9530
E-MAIL: info@HipshotProducts.com

7 STG. IBBY FP