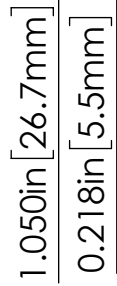
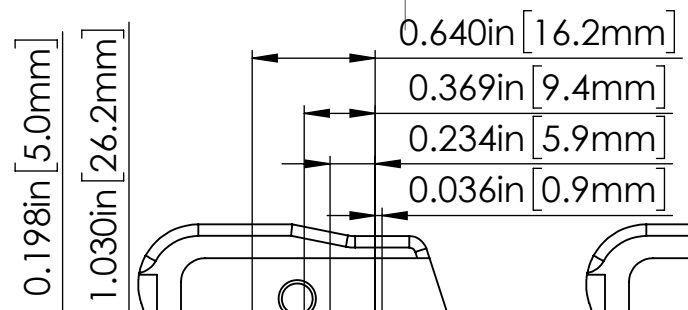
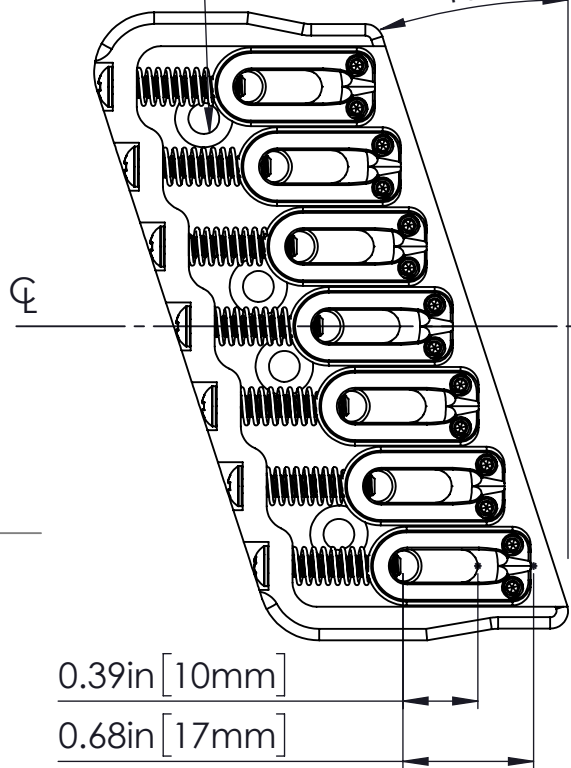
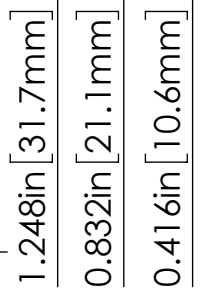
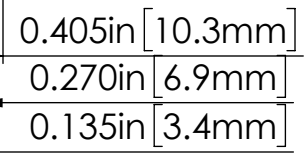
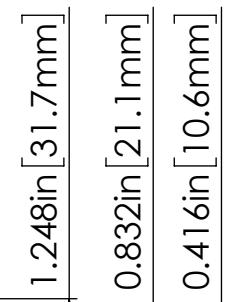


#6 x 1in MOUNT SCREW

18°

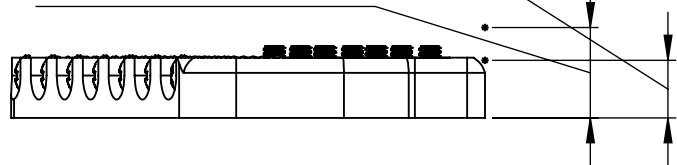


.156in [4mm]
STRING THRU HOLE
DIAMETER
(USE 5/32" DRILL)

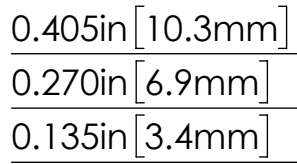


0.30in [7.6mm]
MIN STRING HEIGHT

0.47in [11.9mm]
MAX STRING HEIGHT



WEIGHT (WITH MOUNTING HARDWARE): 5.5oz [156g]



THIS DRAWING IS THE SOLE PROPERTY OF HIPSHOT PRODUCTS, INC. ALL RIGHTS ARE RESERVED. DIMENSIONS AND PRODUCT FEATURES MAY CHANGE WITHOUT NOTICE.

UNLESS OTHERWISE SPECIFIED; DIMENSIONS ARE IN INCHES TOLERANCE: ± .005

REV DATE: 6/14/2020

4MS07180 7 STG MULTI-SCALE
FIXED BRIDGE 18 DEG 125
HEIGHT DIMENSIONS



8248 STATE ROUTE 96
Interlaken, NY 14847 U.S.A.
TEL: 607-532-9404 FAX: 607-532-9530
E-MAIL: info@hipshotproducts.com

