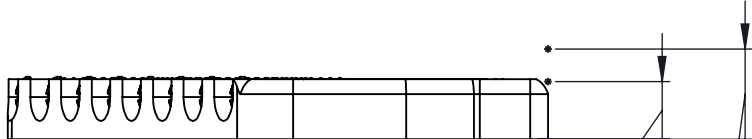


0.350
MAX INTONATION

0.660
MIN INTONATION

21°

STRING SPACING



0.30
MIN STRING HEIGHT

0.47
MAX STRING HEIGHT

WEIGHT (WITH MOUNTING HARDWARE): 6.0oz

0.391
0.625

0.416
1.248

3.685

1.500

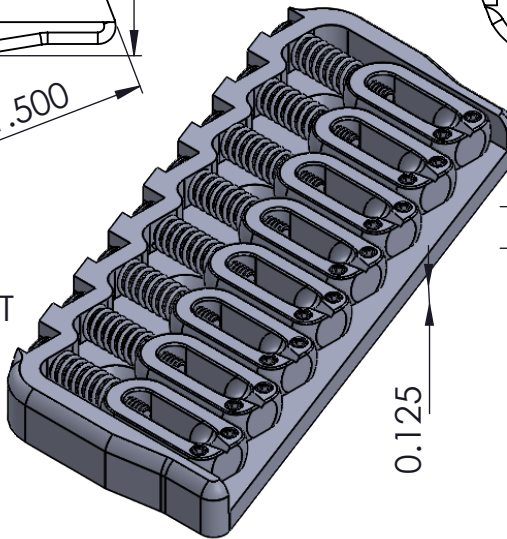
#6 X 1" MOUNT
SCREW

0.579
0.898
0.259
0.060

REF POINT

5/32 (.156)
STRING THRU
HOLE

0.559
0.399
0.240
0.080



0.125

THIS DRAWING IS THE SOLE PROPERTY OF HIPSHOT PRODUCTS, INC. ALL RIGHTS ARE RESERVED. DIMENSIONS AND PRODUCT FEATURES MAY CHANGE WITHOUT NOTICE.

UNLESS OTHERWISE SPECIFIED: DIMENSIONS ARE IN INCHES TOLERANCE: ± .005

REV DATE: 7/1/2019

4MS08210 - 8 STG
MULTISCALE GUITAR BRIDGE
21° .125



8248 STATE ROUTE 96
Interlaken, NY 14847 U.S.A.
TEL: 607-532-9404 FAX: 607-532-9530
E-MAIL: info@HipshotProducts.com

