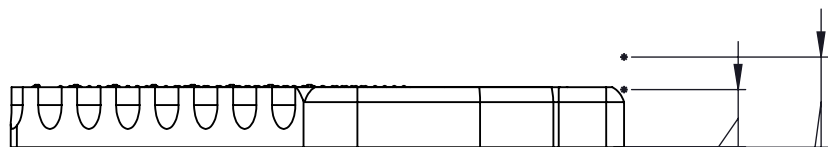


0.350  
MAX INTONATION

0.660  
MIN INTONATION



0.30  
MIN STRING HEIGHT

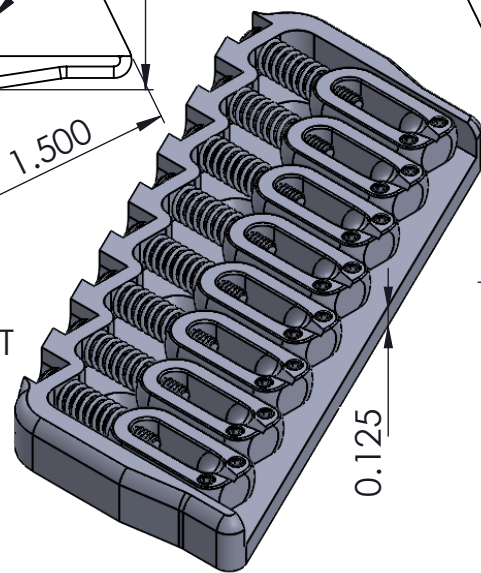
0.47  
MAX STRING HEIGHT

WEIGHT (WITH MOUNTING HARDWARE): 5.7oz

0.416  
STRING SPACING

5/32 (.156)  
STRING THRU HOLE

#6 X 1" MOUNT SCREW



REF POINT

0.710  
0.507  
0.304  
0.101

THIS DRAWING IS THE SOLE PROPERTY OF HIPSHOT PRODUCTS, INC. ALL RIGHTS ARE RESERVED. DIMENSIONS AND PRODUCT FEATURES MAY CHANGE WITHOUT NOTICE.

UNLESS OTHERWISE SPECIFIED: DIMENSIONS ARE IN INCHES TOLERANCE: ± .005

REV DATE: 7/1/2019

4MS08260 - 8 STG  
MULTISCALE GUITAR BRIDGE  
26° .125



8248 STATE ROUTE 96  
Interlaken, NY 14847 U.S.A.  
TEL: 607-532-9404 FAX: 607-532-9530  
E-MAIL: info@hipshotproducts.com

Scale

