

TAILPIECE WEIGHT (WITH METRIC STUDS AND INSERT): 2.43oz
 TAILPIECE WEIGHT (WITH INCH STUDS) 1.95oz

THIS DRAWING IS THE SOLE PROPERTY OF HIPSHOT PRODUCTS, INC.
 ALL RIGHTS ARE RESERVED.
 DIMENSIONS AND PRODUCT FEATURES ARE SUBJECT TO CHANGE
 WITHOUT NOTICE.

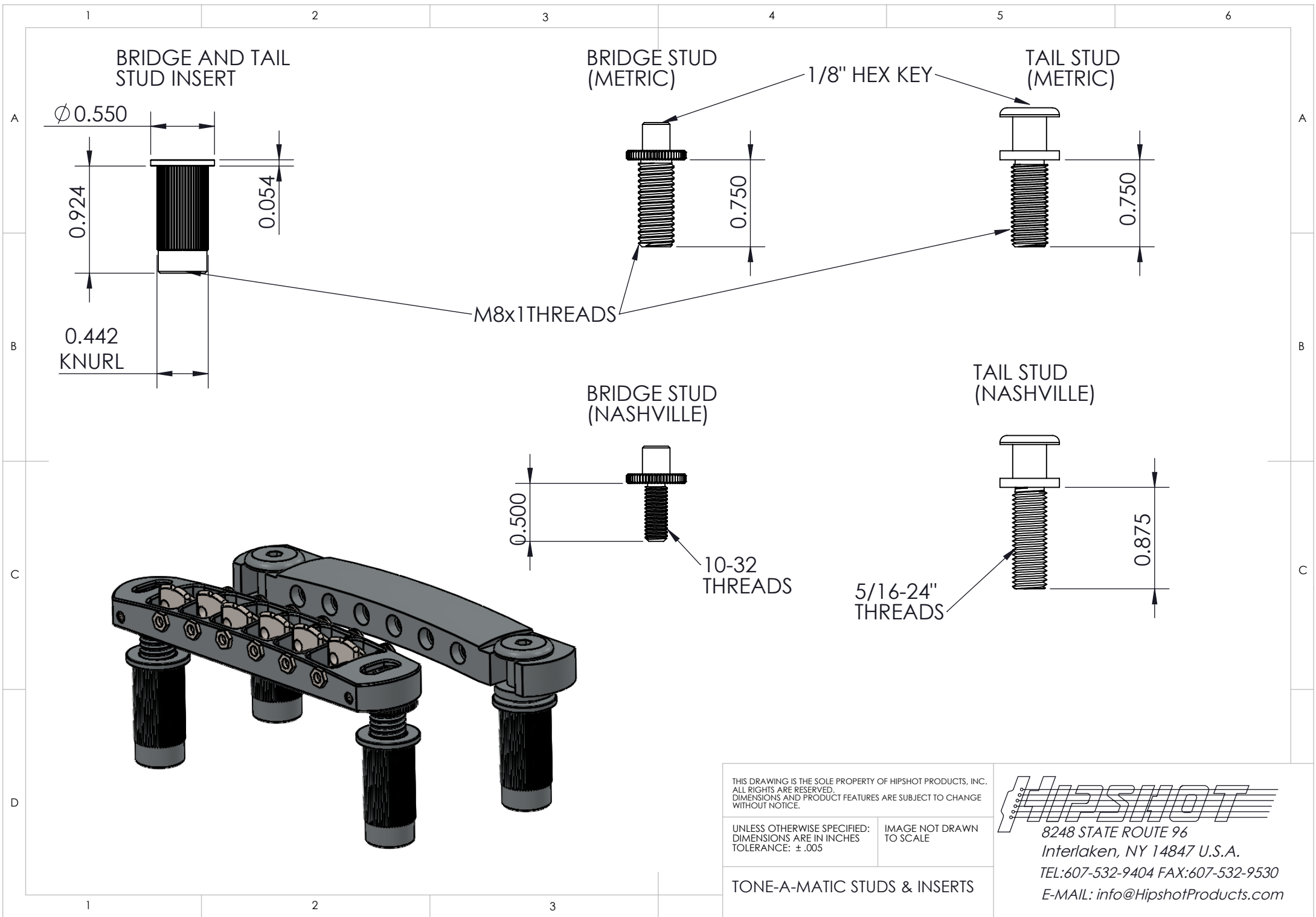
UNLESS OTHERWISE SPECIFIED:
 DIMENSIONS ARE IN INCHES
 TOLERANCE: $\pm .005$

IMAGE NOT DRAWN
 TO SCALE



8248 STATE ROUTE 96
 Interlaken, NY 14847 U.S.A.
 TEL:607-532-9404 FAX:607-532-9530
 E-MAIL: info@HipshotProducts.com

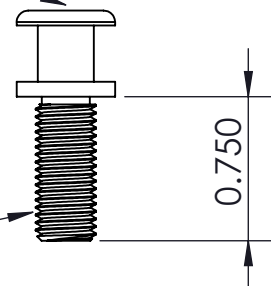
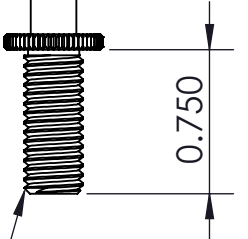
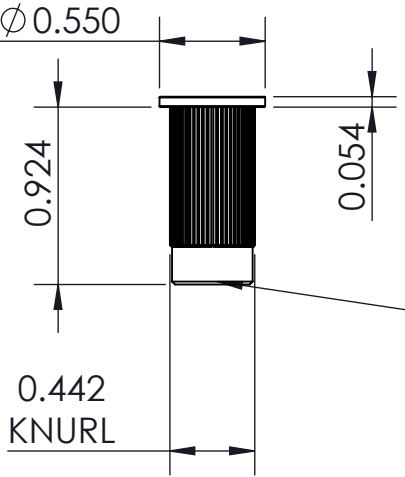
TONE-A-MATIC TAIL ASSEMBLY



BRIDGE AND TAIL STUD INSERT

BRIDGE STUD (METRIC)

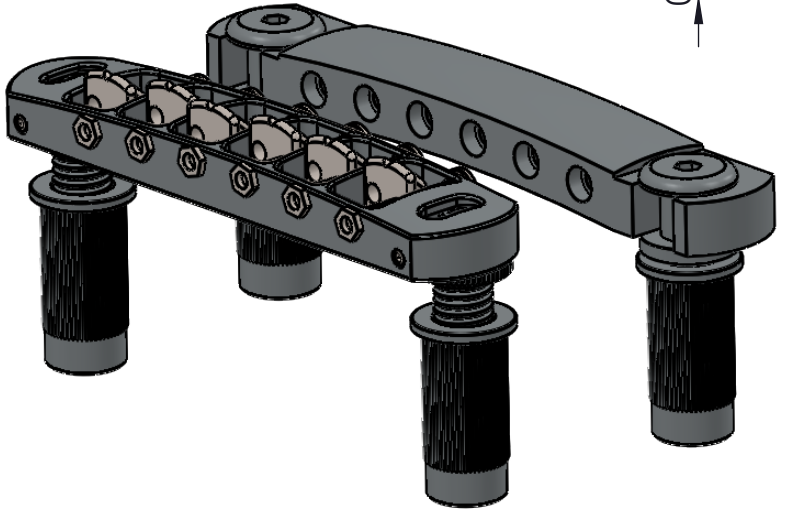
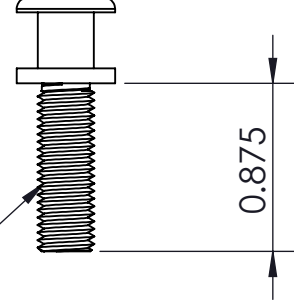
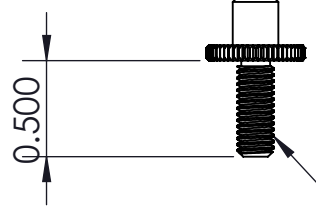
TAIL STUD (METRIC)



M8x1 THREADS

BRIDGE STUD (NASHVILLE)

TAIL STUD (NASHVILLE)



THIS DRAWING IS THE SOLE PROPERTY OF HIPSHOT PRODUCTS, INC. ALL RIGHTS ARE RESERVED. DIMENSIONS AND PRODUCT FEATURES ARE SUBJECT TO CHANGE WITHOUT NOTICE.

UNLESS OTHERWISE SPECIFIED: DIMENSIONS ARE IN INCHES TOLERANCE: $\pm .005$

IMAGE NOT DRAWN TO SCALE

HISSHOT

8248 STATE ROUTE 96
 Interlaken, NY 14847 U.S.A.
 TEL: 607-532-9404 FAX: 607-532-9530
 E-MAIL: info@HipshotProducts.com

TONE-A-MATIC STUDS & INSERTS