

BRIDGE WEIGHT (WITH MOUNTING HARDWARE) 2.4oz

THIS DRAWING IS THE SOLE PROPERTY OF HIPSHOT PRODUCTS, INC.  
ALL RIGHTS ARE RESERVED.  
DIMENSIONS AND PRODUCT FEATURES ARE SUBJECT TO CHANGE  
WITHOUT NOTICE.

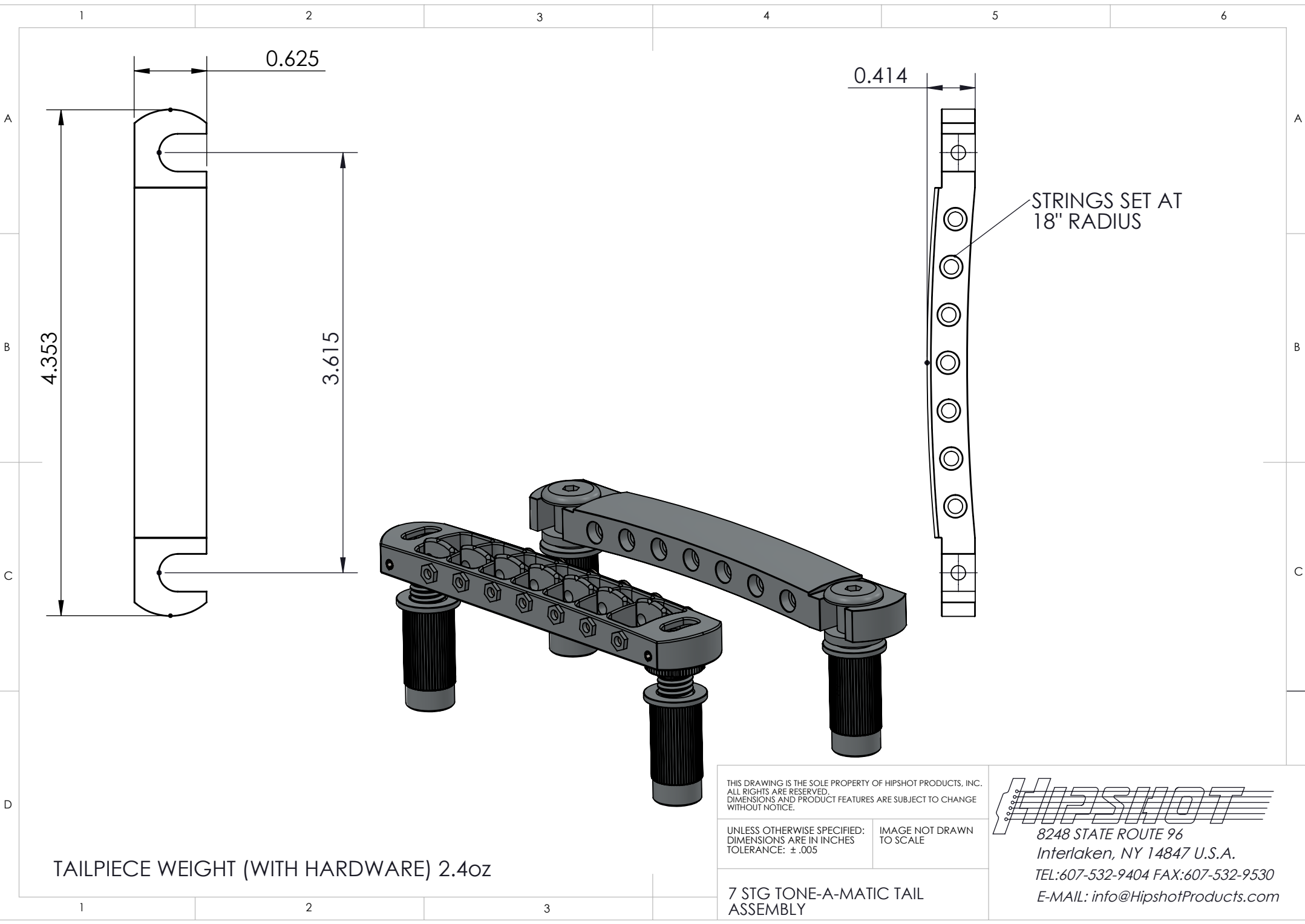
UNLESS OTHERWISE SPECIFIED:  
DIMENSIONS ARE IN INCHES  
TOLERANCE:  $\pm .005$

IMAGE NOT DRAWN  
TO SCALE

7 STG TONE-A-MATIC BRIDGE  
ASSEMBLY



8248 STATE ROUTE 96  
Interlaken, NY 14847 U.S.A.  
TEL: 607-532-9404 FAX: 607-532-9530  
E-MAIL: [info@HipshotProducts.com](mailto:info@HipshotProducts.com)



TAILPIECE WEIGHT (WITH HARDWARE) 2.4oz

THIS DRAWING IS THE SOLE PROPERTY OF HIPSHOT PRODUCTS, INC.  
 ALL RIGHTS ARE RESERVED.  
 DIMENSIONS AND PRODUCT FEATURES ARE SUBJECT TO CHANGE  
 WITHOUT NOTICE.

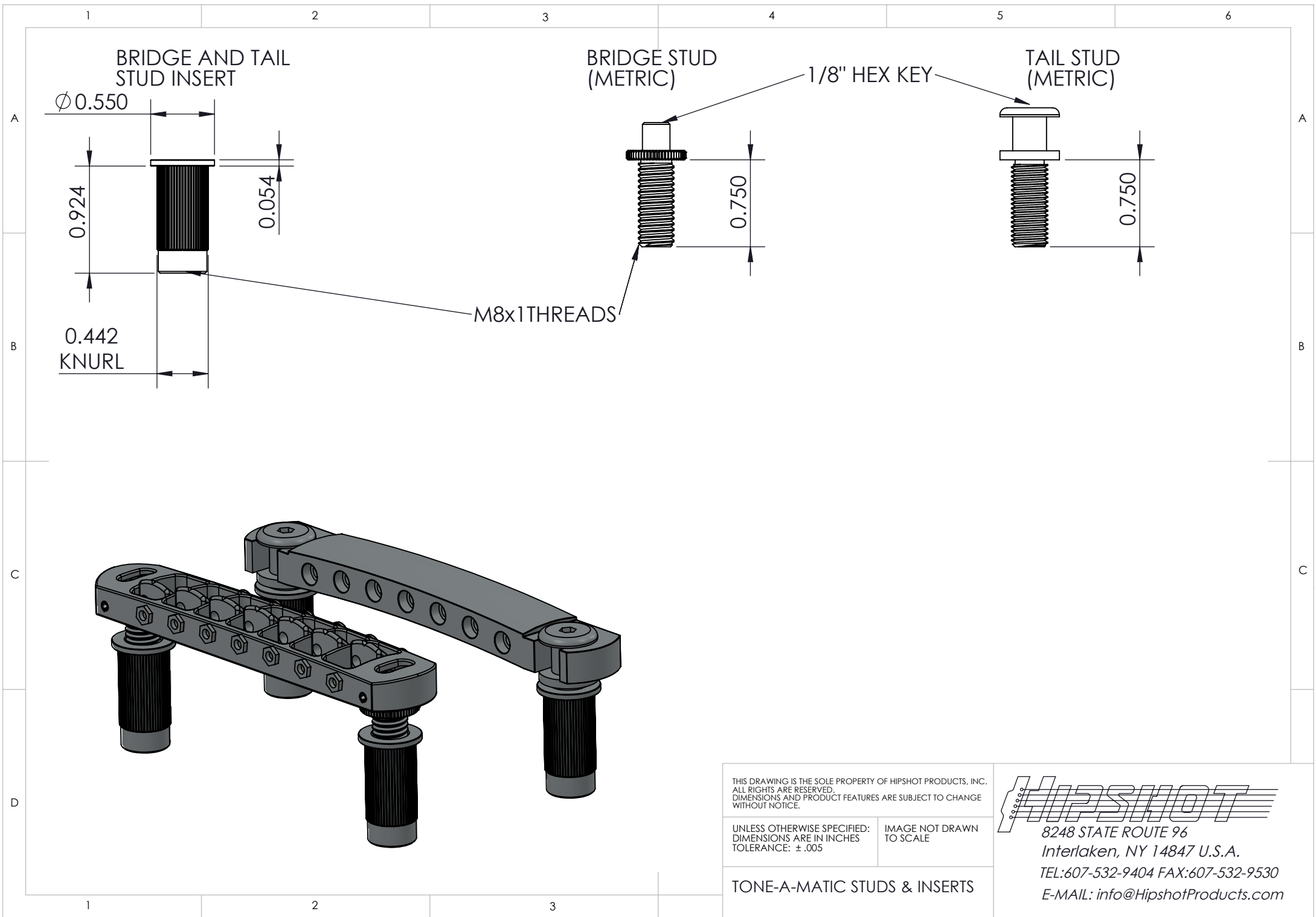
UNLESS OTHERWISE SPECIFIED:  
 DIMENSIONS ARE IN INCHES  
 TOLERANCE:  $\pm .005$

IMAGE NOT DRAWN  
 TO SCALE

**HIPSHOT**

8248 STATE ROUTE 96  
 Interlaken, NY 14847 U.S.A.  
 TEL:607-532-9404 FAX:607-532-9530  
 E-MAIL: info@HipshotProducts.com

7 STG TONE-A-MATIC TAIL  
 ASSEMBLY



BRIDGE AND TAIL  
STUD INSERT

BRIDGE STUD  
(METRIC)

TAIL STUD  
(METRIC)

$\phi 0.550$

0.924

0.054

0.442  
KNURL

M8x1 THREADS

1/8" HEX KEY

0.750

0.750

THIS DRAWING IS THE SOLE PROPERTY OF HIPSHOT PRODUCTS, INC.  
ALL RIGHTS ARE RESERVED.  
DIMENSIONS AND PRODUCT FEATURES ARE SUBJECT TO CHANGE  
WITHOUT NOTICE.

UNLESS OTHERWISE SPECIFIED:  
DIMENSIONS ARE IN INCHES  
TOLERANCE:  $\pm .005$

IMAGE NOT DRAWN  
TO SCALE



8248 STATE ROUTE 96  
Interlaken, NY 14847 U.S.A.  
TEL: 607-532-9404 FAX: 607-532-9530  
E-MAIL: info@HipshotProducts.com

TONE-A-MATIC STUDS & INSERTS