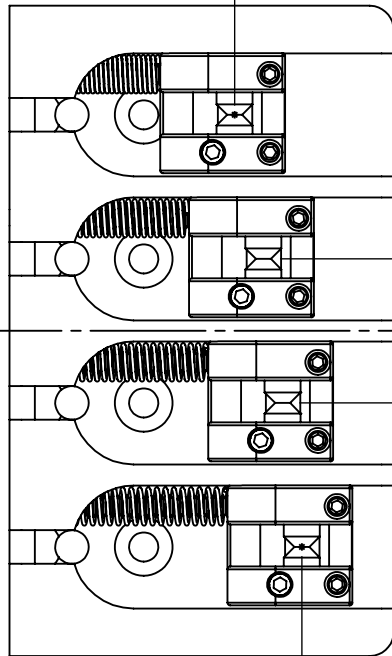


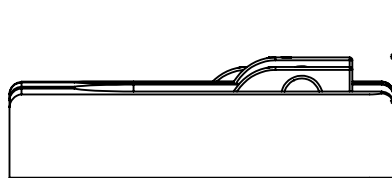
0.828  
(MAX INTONATION)



0.478  
(MIN INTONATION)

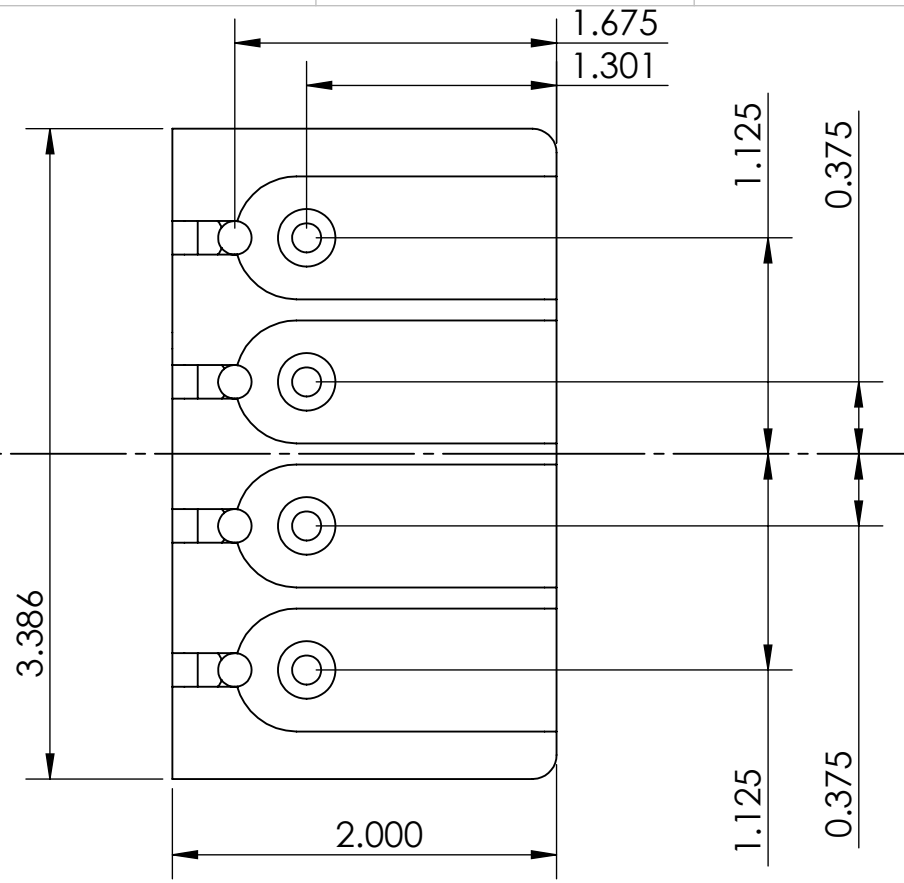
0.750 (±.062)  
(STRING SPACING)

0.630  
(MAX STRING HEIGHT)



0.400  
(MIN STRING HEIGHT)

WEIGHT (WITH MOUNTING HARDWARE):(ALUM) 4.9oz (BRASS) 9.5oz



THIS DRAWING IS THE SOLE PROPERTY OF HIPSHOT PRODUCTS, INC.  
ALL RIGHTS ARE RESERVED.  
DIMENSIONS AND PRODUCT FEATURES ARE SUBJECT TO CHANGE  
WITHOUT NOTICE.

UNLESS OTHERWISE SPECIFIED:  
DIMENSIONS ARE IN INCHES  
TOLERANCE: ± .005

IMAGE NOT DRAWN  
TO SCALE



8248 STATE ROUTE 96  
Interlaken, NY 14847 U.S.A.  
TEL:607-532-9404 FAX:607-532-9530  
E-MAIL: info@HipshotProducts.com

A STYLE BASS BRIDGE 4 STG .750