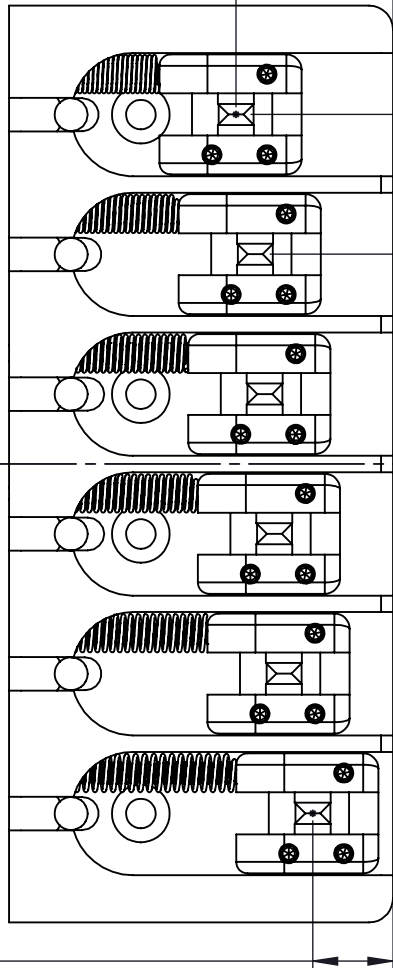


0.82in [21mm]
(MAX INTONATION)

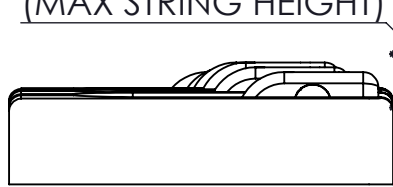


0.728in [18.5mm]
± 0.062in [1.5mm]
(STRING SPACING)

0.42in [11mm]
(MIN INTONATION)

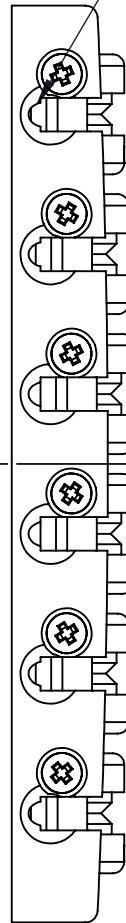
0.68in [17mm]
(MAX STRING HEIGHT)

0.40in [10mm]
(MIN STRING HEIGHT)

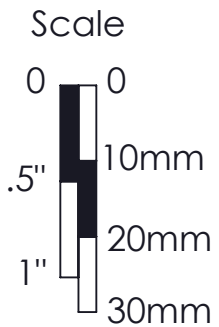
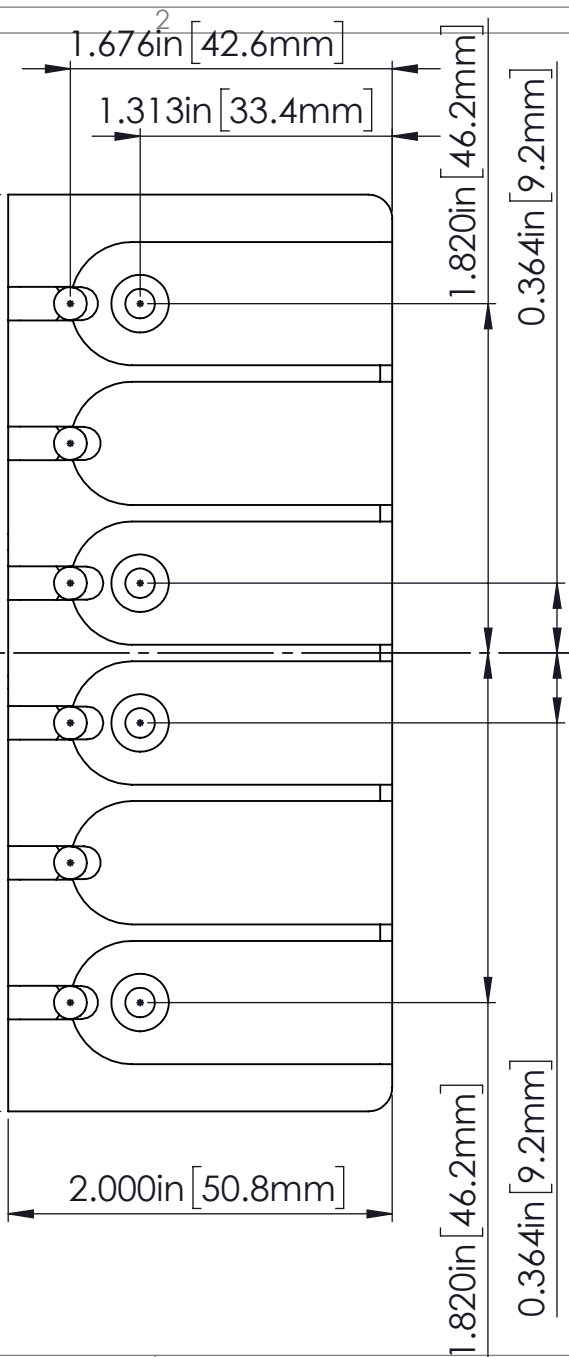


WEIGHT (WITH MOUNTING HARDWARE):
ALUM: 7.1oz [201g] **BRASS:** 13.4oz [380g]

QUICK RELEASE CHANNELS



4.775in [121.3mm]



THIS DRAWING IS THE SOLE PROPERTY OF HIPSHOT PRODUCTS, INC. ALL RIGHTS ARE RESERVED. DIMENSIONS AND PRODUCT FEATURES MAY CHANGE WITHOUT NOTICE.

UNLESS OTHERWISE SPECIFIED; DIMENSIONS ARE IN INCHES TOLERANCE: ± .005

REV DATE: 4/18/2021

5A600-728 6 STG A STYLE
BASS BRIDGE .728 SPACING
DIMENSIONS



8248 STATE ROUTE 96
Interlaken, NY 14847 U.S.A.
TEL:607-532-9404 FAX:607-532-9530
E-MAIL: info@HipshotProducts.com