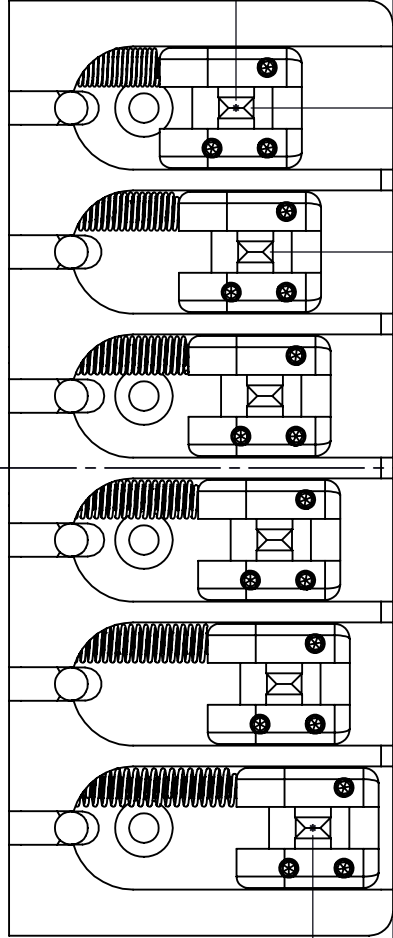


0.82in [21mm]
(MAX INTONATION)



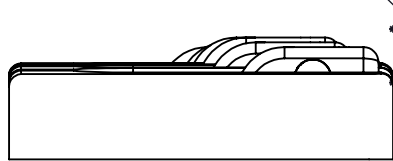
0.750in [19.1mm]
±.062in [1.5mm]
(STRING SPACING)

0.42in [11mm]

(MIN INTONATION)

0.68in [17mm]

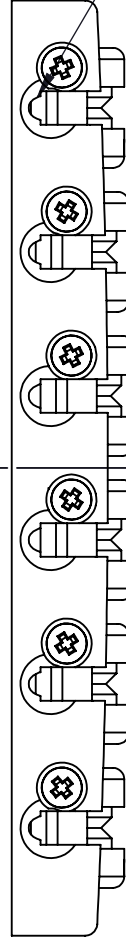
(MAX STRING HEIGHT)



0.40in [10mm]
(MIN STRING HEIGHT)

WEIGHT (WITH MOUNTING HARDWARE):
ALUM: 7.0oz [198g] **BRASS:** 14.1oz [400g]

QUICK RELEASE CHANNELS



4.870in [123.7mm]

1.675in [42.5mm]

1.297in [32.9mm]

1.875in [47.6mm]

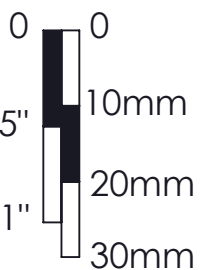
0.375in [9.5mm]

2.000in [50.8mm]

1.875in [47.6mm]

0.375in [9.5mm]

Scale



THIS DRAWING IS THE SOLE PROPERTY OF HIPSHOT PRODUCTS, INC. ALL RIGHTS ARE RESERVED. DIMENSIONS AND PRODUCT FEATURES MAY CHANGE WITHOUT NOTICE.

UNLESS OTHERWISE SPECIFIED: DIMENSIONS ARE IN INCHES TOLERANCE: ± .005

REV DATE: 4/18/2021

5A600-750 6 STG A STYLE
BASS BRIDGE .750 SPACING
DIMENSIONS



8248 STATE ROUTE 96

Interlaken, NY 14847 U.S.A.

TEL:607-532-9404 FAX:607-532-9530

E-MAIL: info@HipshotProducts.com