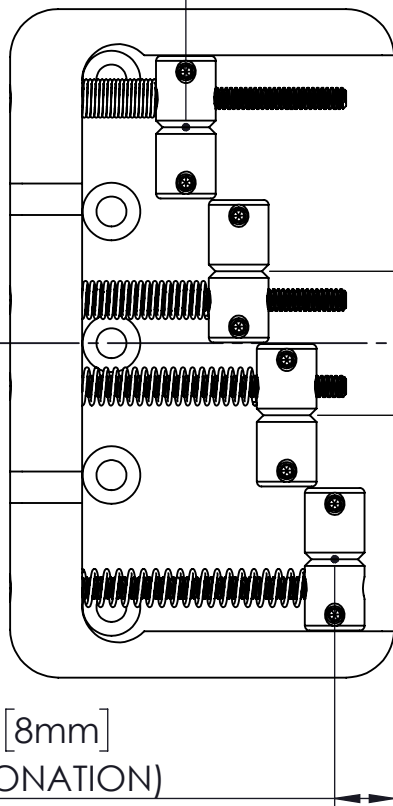


1.08in [28mm]
(MAX INTONATION)

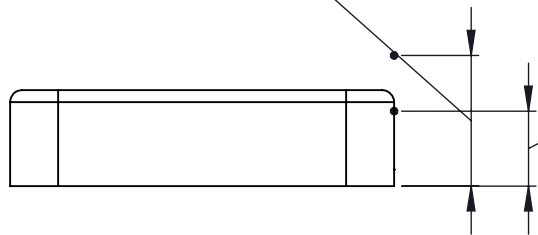


0.31in [8mm]
(MIN INTONATION)

0.750in [19.1mm]
(STRING SPACING)

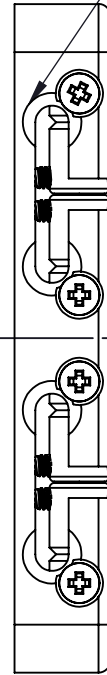
0.68in [17mm]
(MAX STRING HEIGHT)

0.39in [10mm]
(MIN STRING HEIGHT)



WEIGHT (WITH MOUNTING HARDWARE):
ALUM: 3.5oz [99g] **BRASS:** 7.4oz [210g]

QUICK RELEASE
CHANNELS



3.482in [88.4mm]

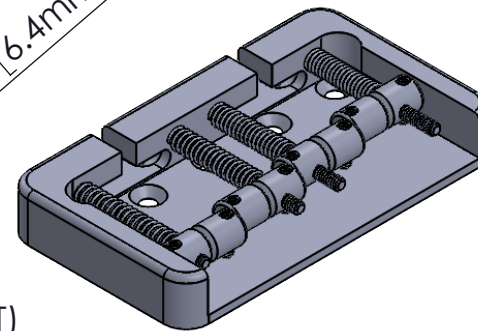
2.000in [50.8mm]

1.473in [37.4mm]

1.373in [34.9mm]

0.687in [17.4mm]

R0.250in [6.4mm]



1.373in [34.9mm]

0.687in [17.4mm]

THIS DRAWING IS THE SOLE PROPERTY OF HIPSHOT PRODUCTS, INC. ALL RIGHTS ARE RESERVED. DIMENSIONS AND PRODUCT FEATURES MAY CHANGE WITHOUT NOTICE.

UNLESS OTHERWISE SPECIFIED: DIMENSIONS ARE IN INCHES TOLERANCE: ± .005

REV DATE:
2/28/2021

5B4FM1 4 STG B STYLE BASS
BRIDGE FENDER MOUNT 1
DIMENSIONS



8248 STATE ROUTE 96
Interlaken, NY 14847 U.S.A.
TEL: 607-532-9404 FAX: 607-532-9530
E-MAIL: info@hipshotproducts.com

Scale

