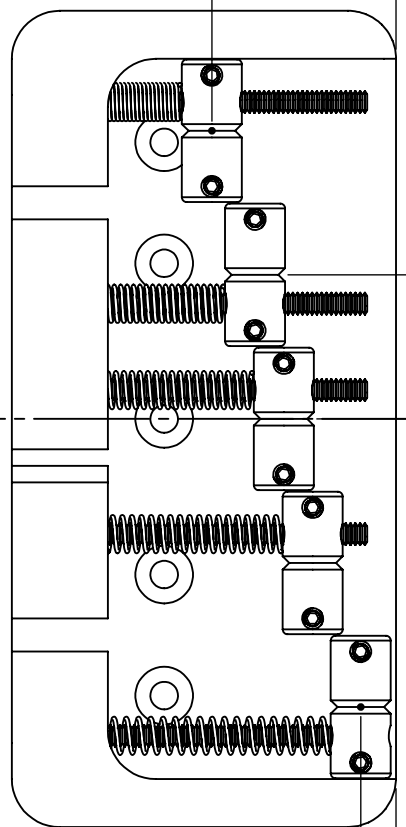


0.959  
(MAX INTONATION)

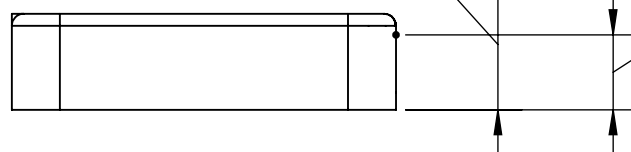


0.750  
(STRING SPACING)

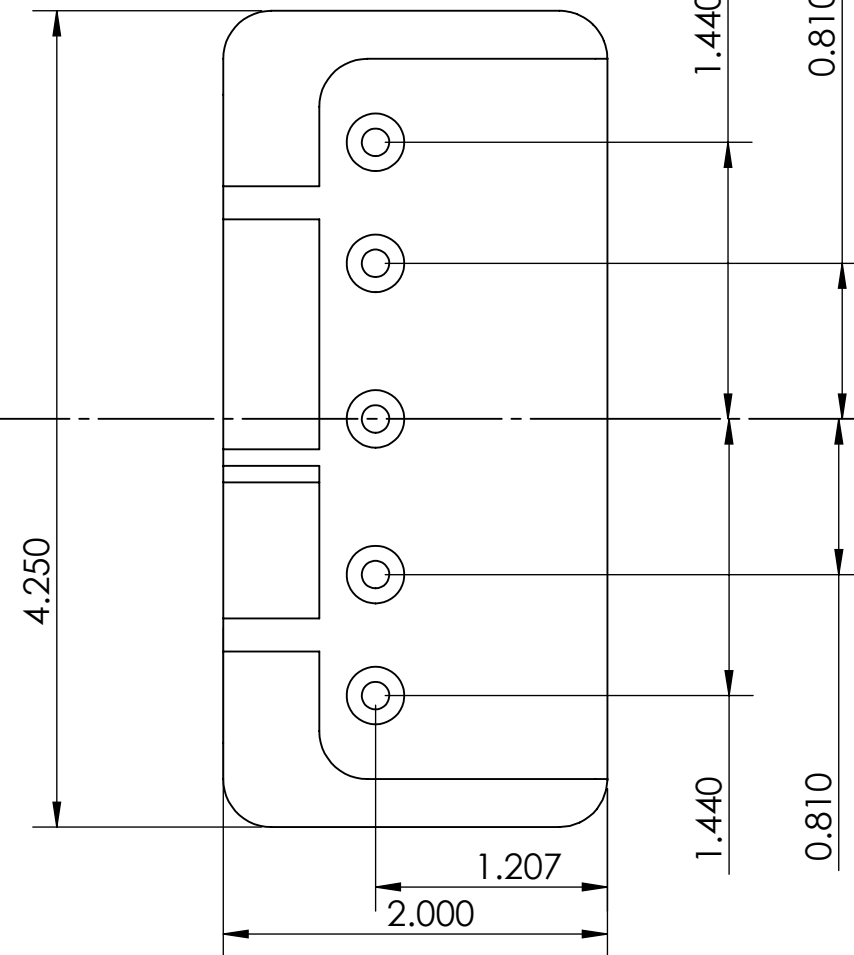
0.184  
(MIN INTONATION)

0.680  
(MAX STRING HEIGHT)

0.390  
(MIN STRING HEIGHT)



WEIGHT (WITH MOUNTING HARDWARE): (ALUM)4.1oz (BRASS)9.0oz



4.250

1.207  
2.000

1.440

0.810

1.440

0.810

THIS DRAWING IS THE SOLE PROPERTY OF HIPSHOT PRODUCTS, INC.  
ALL RIGHTS ARE RESERVED.  
DIMENSIONS AND PRODUCT FEATURES ARE SUBJECT TO CHANGE  
WITHOUT NOTICE.

UNLESS OTHERWISE SPECIFIED:  
DIMENSIONS ARE IN INCHES  
TOLERANCE: ± .005

IMAGE NOT DRAWN  
TO SCALE



8248 STATE ROUTE 96  
Interlaken, NY 14847 U.S.A.  
TEL:607-532-9404 FAX:607-532-9530  
E-MAIL: info@HipshotProducts.com

B STYLE BASS BRIDGE 5 STG .750