

0.515
MAX INTONATION

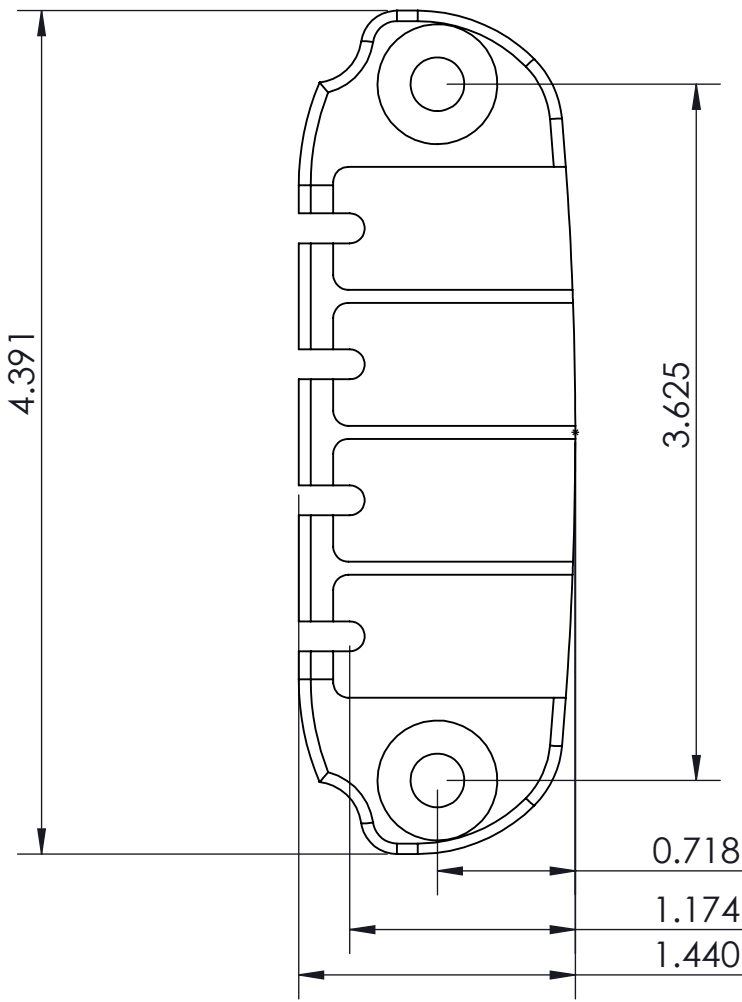
0.708 (+.062)
STRING SPACING

0.350
MIN INTONATION

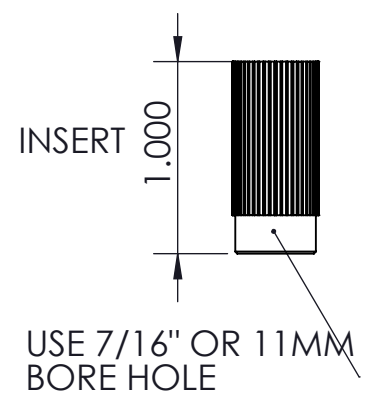
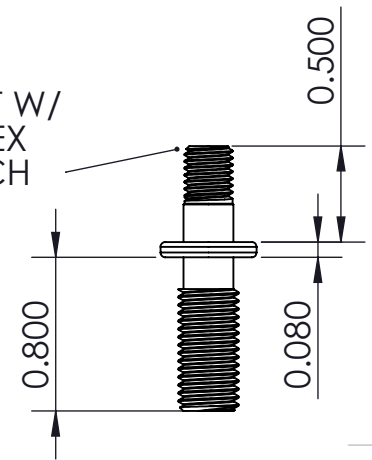
0.630
MAX STRING HEIGHT

0.400
MIN STRING HEIGHT

WEIGHT (WITH MOUNTING HARDWARE): 9.2oz



ADJUST W/
1/8" HEX
WRENCH



THIS DRAWING IS THE SOLE PROPERTY OF HIPSHOT PRODUCTS, INC. ALL RIGHTS ARE RESERVED. DIMENSIONS AND PRODUCT FEATURES ARE SUBJECT TO CHANGE WITHOUT NOTICE.

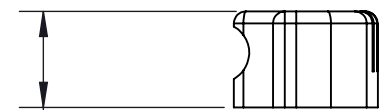
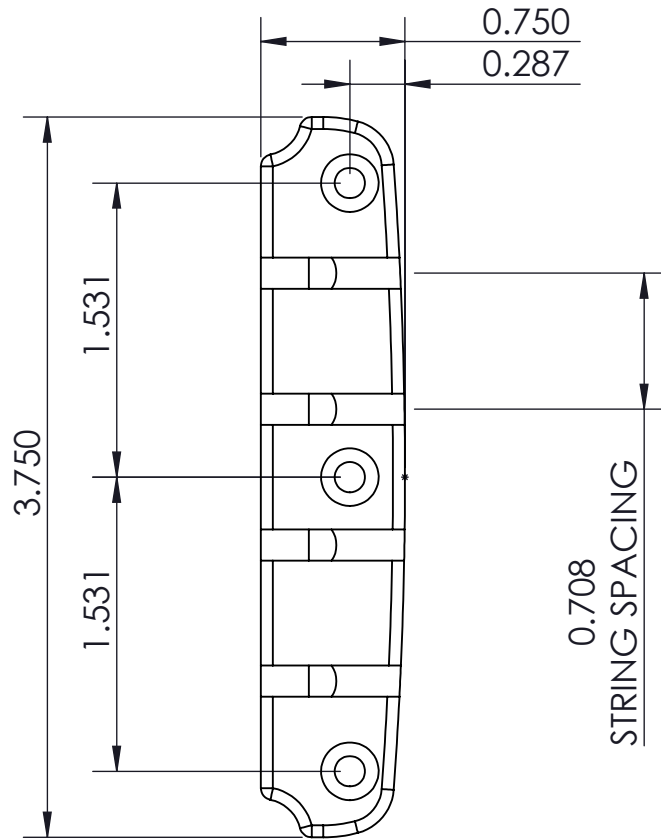
UNLESS OTHERWISE SPECIFIED: DIMENSIONS ARE IN INCHES TOLERANCE: ± .005

IMAGE NOT DRAWN TO SCALE

HIPSHOT

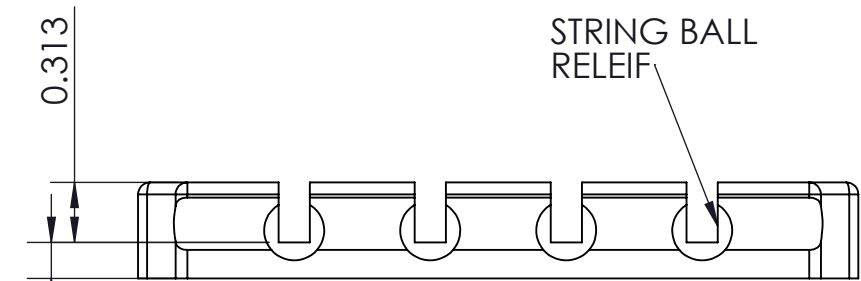
8248 STATE ROUTE 96
Interlaken, NY 14847 U.S.A.
TEL: 607-532-9404 FAX: 607-532-9530
E-MAIL: info@HipshotProducts.com

D STYLE BASS BRIDGE 4 STG .708



0.500

WEIGHT (WITH MOUNTING HARDWARE): 4.6oz



THIS DRAWING IS THE SOLE PROPERTY OF HIPSHOT PRODUCTS, INC.
ALL RIGHTS ARE RESERVED.
DIMENSIONS AND PRODUCT FEATURES ARE SUBJECT TO CHANGE
WITHOUT NOTICE.

UNLESS OTHERWISE SPECIFIED:
DIMENSIONS ARE IN INCHES
TOLERANCE: $\pm .005$

IMAGE NOT DRAWN
TO SCALE



8248 STATE ROUTE 96
Interlaken, NY 14847 U.S.A.
TEL: 607-532-9404 FAX: 607-532-9530
E-MAIL: info@HipshotProducts.com

D STYLE BASS BRIDGE 4 STG .708