

0.472in [12.0mm]  
MAX INTONATION

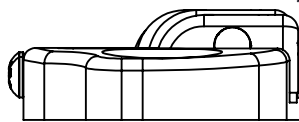
0.292in [7.4mm]  
MIN INTONATION

0.750in [19.1mm] ±.062in [1.5mm]  
STRING SPACING

0.630in [16.0mm]  
MAX STRING HEIGHT

0.400in [10.2mm]  
MIN STRING HEIGHT

WEIGHT (WITH MOUNTING HARDWARE): 9.2oz [260g]



4.391in [111.5mm]

3.625in [92.1mm]

0.718in [18.2mm]

1.174in [29.8mm]

1.440in [36.6mm]

0.200in [5.1mm]

ADJUST W/  
5/16 in  
OPEN WRENCH

NUT

Ø 0.500in [12.7mm]

0.500in [12.7mm]

ADJUST W/  
1/8 in HEX WRENCH

STUD

0.080in [2.0mm]

5/16-24 in  
THREAD

INSERT

1.000in [25.4mm]

0.800in [20.3mm]

USE 7/16in [11mm] BORE

THIS DRAWING IS THE SOLE PROPERTY OF HIPSHOT PRODUCTS, INC. ALL RIGHTS ARE RESERVED. DIMENSIONS AND PRODUCT FEATURES MAY CHANGE WITHOUT NOTICE.

UNLESS OTHERWISE SPECIFIED: DIMENSIONS ARE IN INCHES TOLERANCE: ± .005

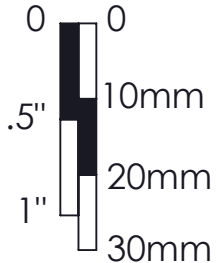
REV DATE: 6/10/2020

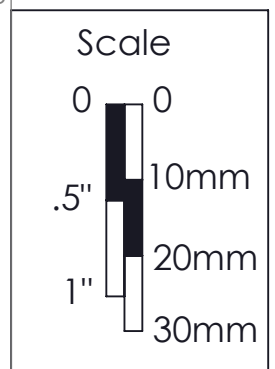
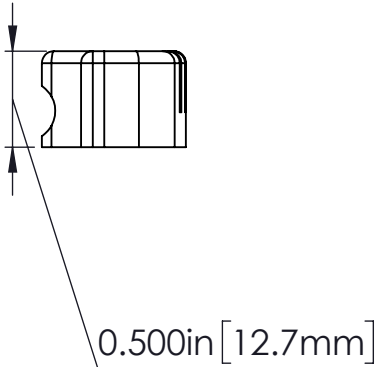
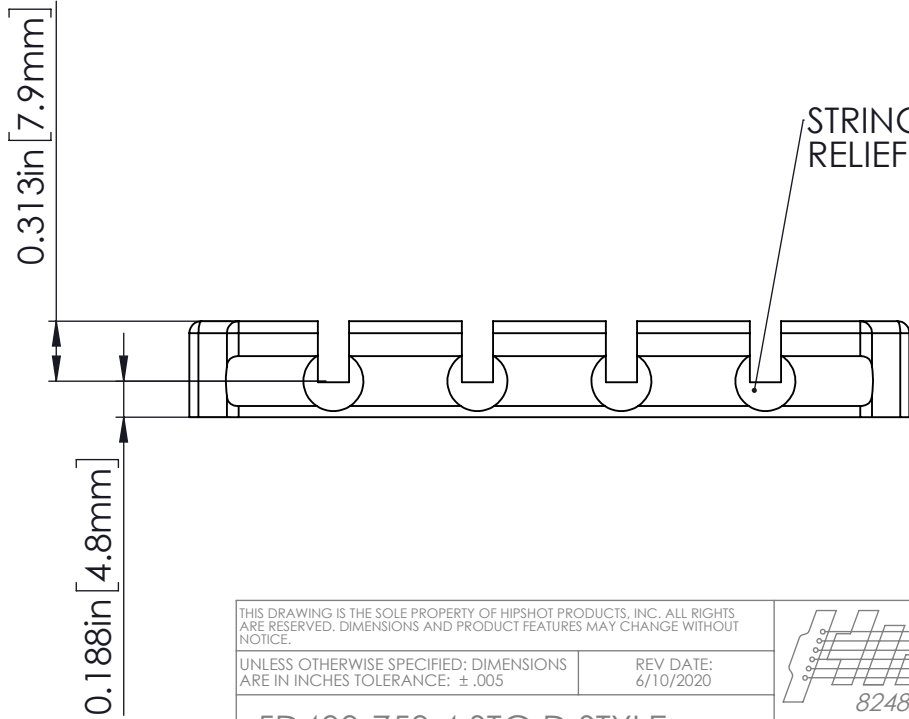
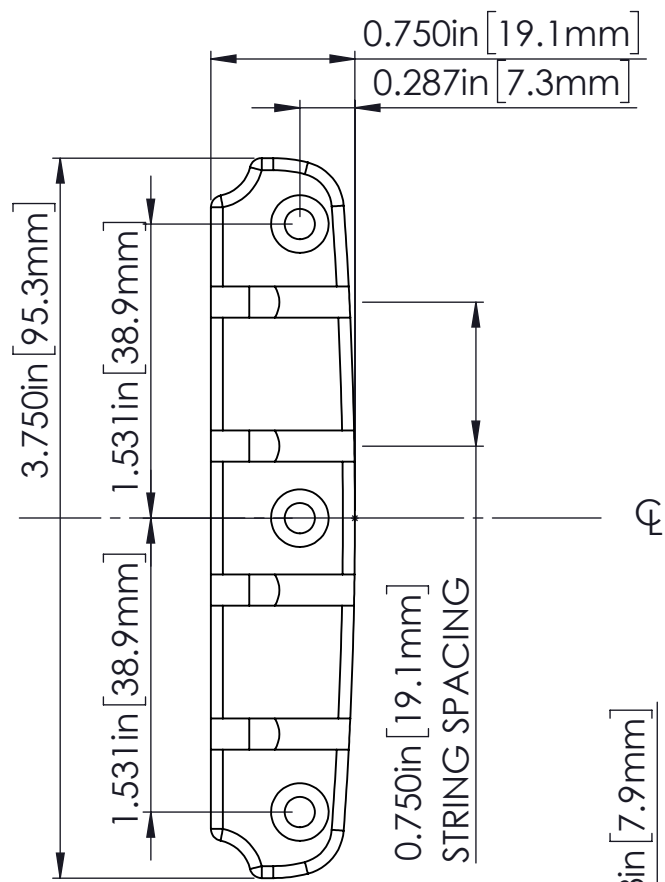
5D400-750 4 STG D STYLE -  
750



8248 STATE ROUTE 96  
Interlaken, NY 14847 U.S.A.  
TEL: 607-532-9404 FAX: 607-532-9530  
E-MAIL: info@HipshotProducts.com

Scale





WEIGHT (WITH MOUNTING HARDWARE): 4.7oz [133g]

THIS DRAWING IS THE SOLE PROPERTY OF HIPSHOT PRODUCTS, INC. ALL RIGHTS ARE RESERVED. DIMENSIONS AND PRODUCT FEATURES MAY CHANGE WITHOUT NOTICE.

UNLESS OTHERWISE SPECIFIED: DIMENSIONS ARE IN INCHES TOLERANCE: ± .005

REV DATE: 6/10/2020

5D400-750 4 STG D STYLE - 750



8248 STATE ROUTE 96  
Interlaken, NY 14847 U.S.A.  
TEL: 607-532-9404 FAX: 607-532-9530  
E-MAIL: info@HipshotProducts.com