

0.552in [14.0mm]
MAX INTONATION

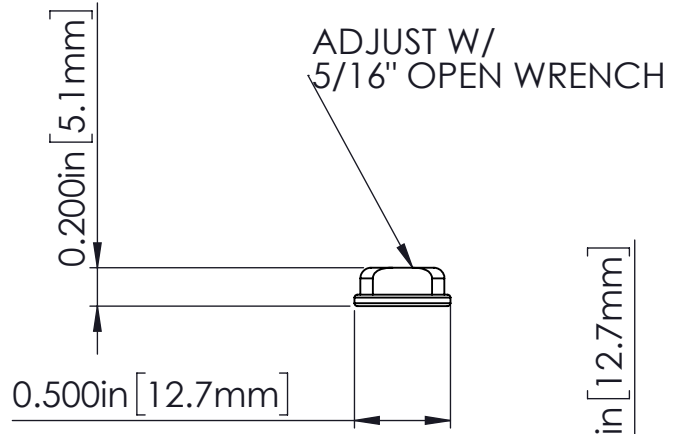
0.750in [19.1mm] (± 0.062 in [1.5mm])
(STRING SPACING)

0.292in [7.4mm]
MIN INTONATION

0.630in [16.0mm]
(MAX STRING HEIGHT)

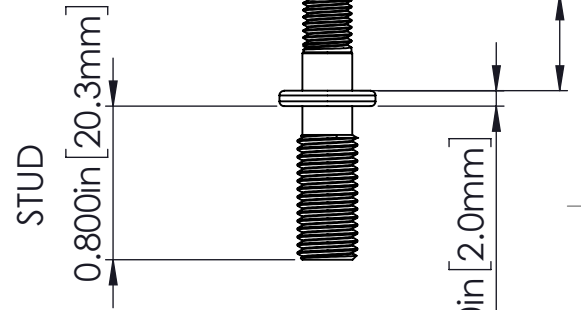
0.400in [10.2mm]
(MIN STRING HEIGHT)

WEIGHT (WITH MOUNTING HARDWARE): 11.0oz [312g]

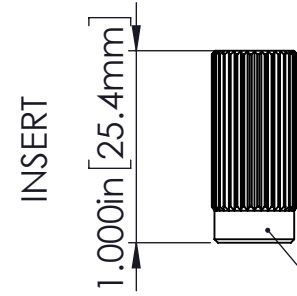


ADJUST W/
5/16" OPEN WRENCH

ADJUST W/
1/8" HEX WRENCH



STUD



INSERT

USE 7/16in [11mm] BORE

THIS DRAWING IS THE SOLE PROPERTY OF HIPSHOT PRODUCTS, INC. ALL RIGHTS ARE RESERVED. DIMENSIONS AND PRODUCT FEATURES MAY CHANGE WITHOUT NOTICE.

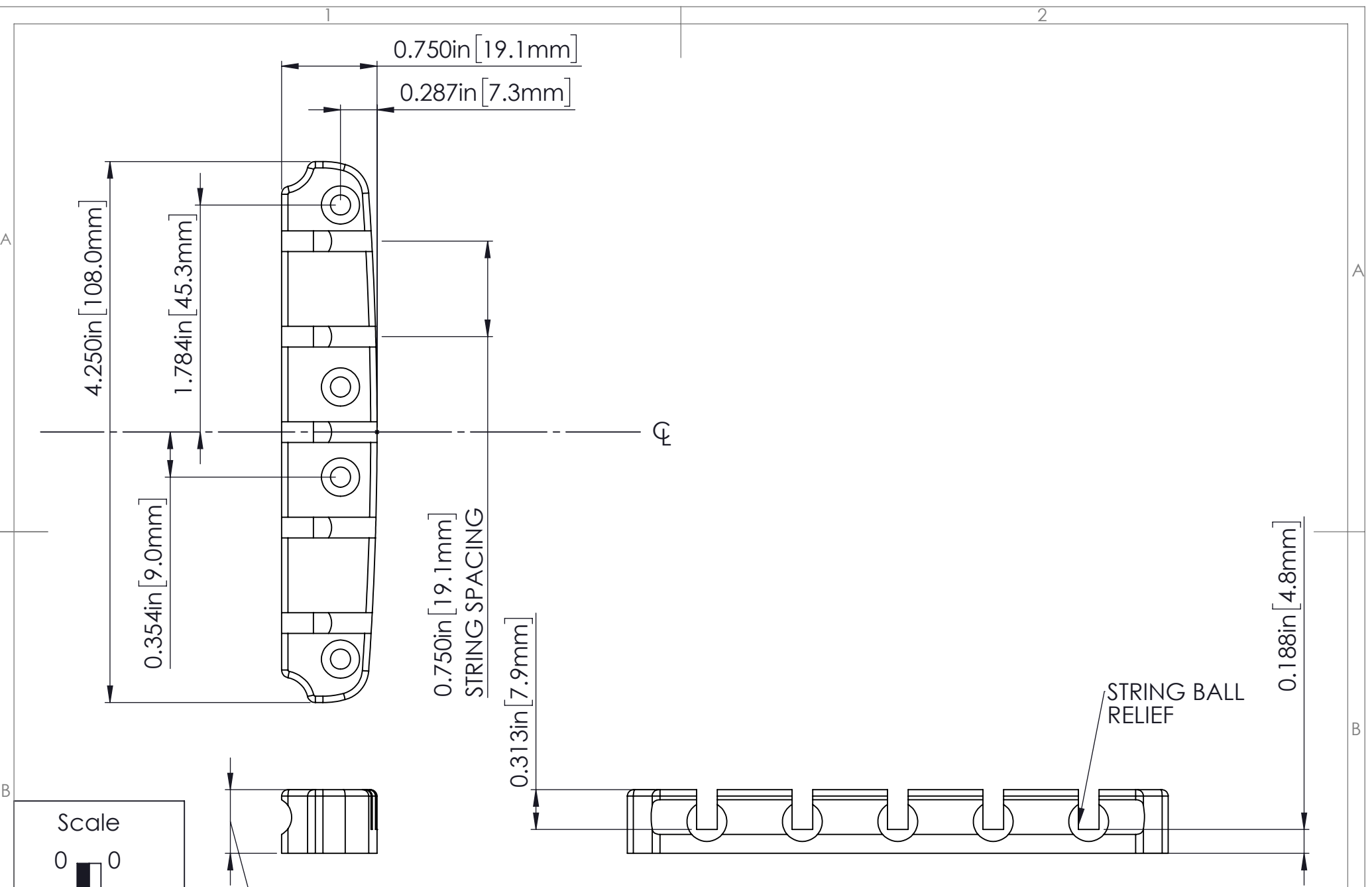
UNLESS OTHERWISE SPECIFIED; DIMENSIONS ARE IN INCHES TOLERANCE: $\pm .005$

REV DATE: 5/31/2020

5D500-750 5 STG D STYLE - 750



8248 STATE ROUTE 96
Interlaken, NY 14847 U.S.A.
TEL: 607-532-9404 FAX: 607-532-9530
E-MAIL: info@HipshotProducts.com



0.750in [19.1mm]

0.287in [7.3mm]

4.250in [108.0mm]

1.784in [45.3mm]

0.354in [9.0mm]

0.750in [19.1mm]
STRING SPACING

0.313in [7.9mm]

0.188in [4.8mm]

STRING BALL RELIEF

0.500in [12.7mm]

WEIGHT (WITH MOUNTING HARDWARE): 5.5oz [156g]

Scale

0 0
10mm
20mm
30mm

.5" 1"

THIS DRAWING IS THE SOLE PROPERTY OF HIPSHOT PRODUCTS, INC. ALL RIGHTS ARE RESERVED. DIMENSIONS AND PRODUCT FEATURES MAY CHANGE WITHOUT NOTICE.

UNLESS OTHERWISE SPECIFIED; DIMENSIONS ARE IN INCHES TOLERANCE: ± .005

REV DATE: 5/31/2020

5D500-750 5 STG D STYLE - 750

8248 STATE ROUTE 96
Interlaken, NY 14847 U.S.A.
TEL:607-532-9404 FAX:607-532-9530
E-MAIL: info@HipshotProducts.com