

0.552in [14.0mm]

0.656in [16.7mm] ±.062in [1.5mm]  
STRING SPACING

0.292in [7.4mm]

5.914in [150.2mm]

5.085in [129.2mm]

0.718in [18.2mm]

1.190in [30.2mm]

1.440in [36.6mm]

0.200in [5.1mm]

ADJUST W/  
5/16 in  
OPEN WRENCH

Ø 0.500in [12.7mm]

0.500in [12.7mm]

ADJUST W/  
1/8 in HEX WRENCH

0.080in [2.0mm]

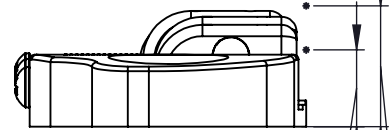
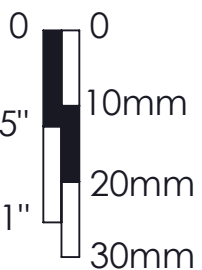
5/16-24 in  
THREAD

1.000in [25.4mm]

0.800in [20.3mm]

USE 7/16in [11mm] BORE

Scale



0.400in [10.2mm]  
MIN STRING HEIGHT

0.630in [16.0mm]  
MAX STRING HEIGHT

WEIGHT (WITH MOUNTING HARDWARE): 11.9oz [337g]

THIS DRAWING IS THE SOLE PROPERTY OF HIPSHOT PRODUCTS, INC. ALL RIGHTS ARE RESERVED. DIMENSIONS AND PRODUCT FEATURES MAY CHANGE WITHOUT NOTICE.

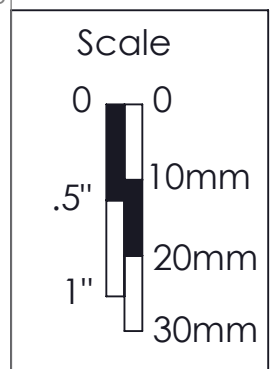
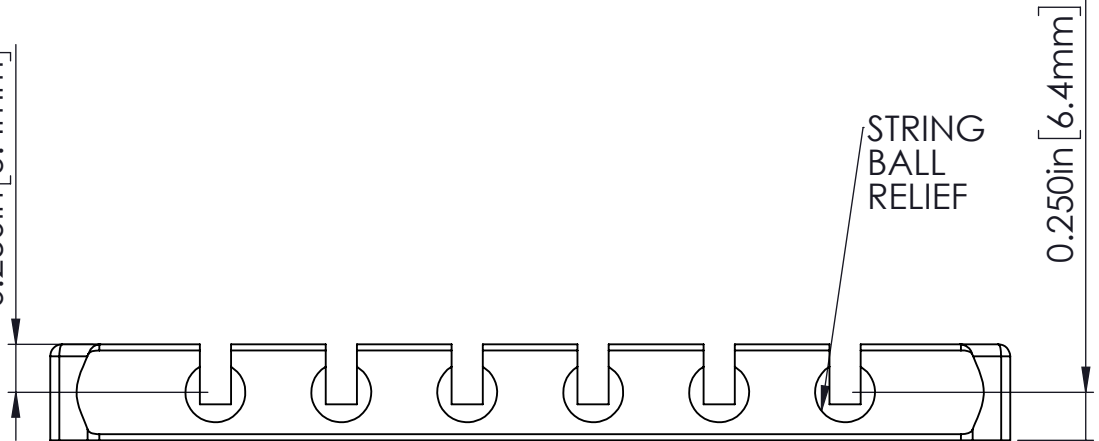
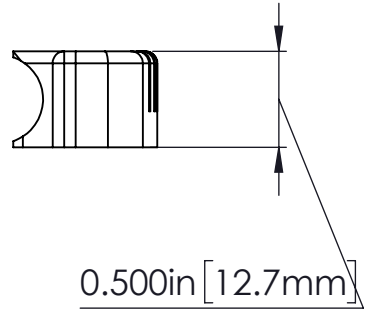
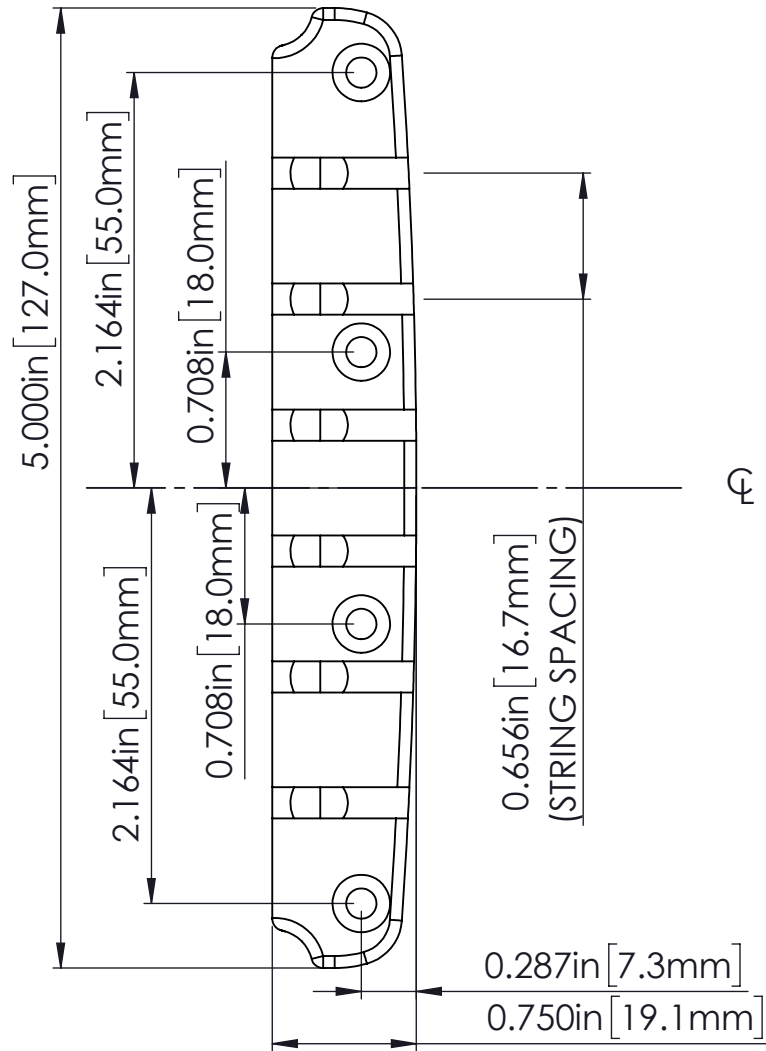
UNLESS OTHERWISE SPECIFIED; DIMENSIONS ARE IN INCHES TOLERANCE: ± .005

REV DATE:  
6/10/2020

5D600-656 6 STG D STYLE -  
656



8248 STATE ROUTE 96  
Interlaken, NY 14847 U.S.A.  
TEL:607-532-9404 FAX:607-532-9530  
E-MAIL: info@HipshotProducts.com



WEIGHT (WITH MOUNTING HARDWARE): 6.6oz[187g]

THIS DRAWING IS THE SOLE PROPERTY OF HIPSHOT PRODUCTS, INC. ALL RIGHTS ARE RESERVED. DIMENSIONS AND PRODUCT FEATURES MAY CHANGE WITHOUT NOTICE.

UNLESS OTHERWISE SPECIFIED: DIMENSIONS ARE IN INCHES TOLERANCE: ± .005

REV DATE: 6/10/2020

5D600-656 6 STG D STYLE - 656



8248 STATE ROUTE 96  
 Interlaken, NY 14847 U.S.A.  
 TEL:607-532-9404 FAX:607-532-9530  
 E-MAIL: info@HipshotProducts.com