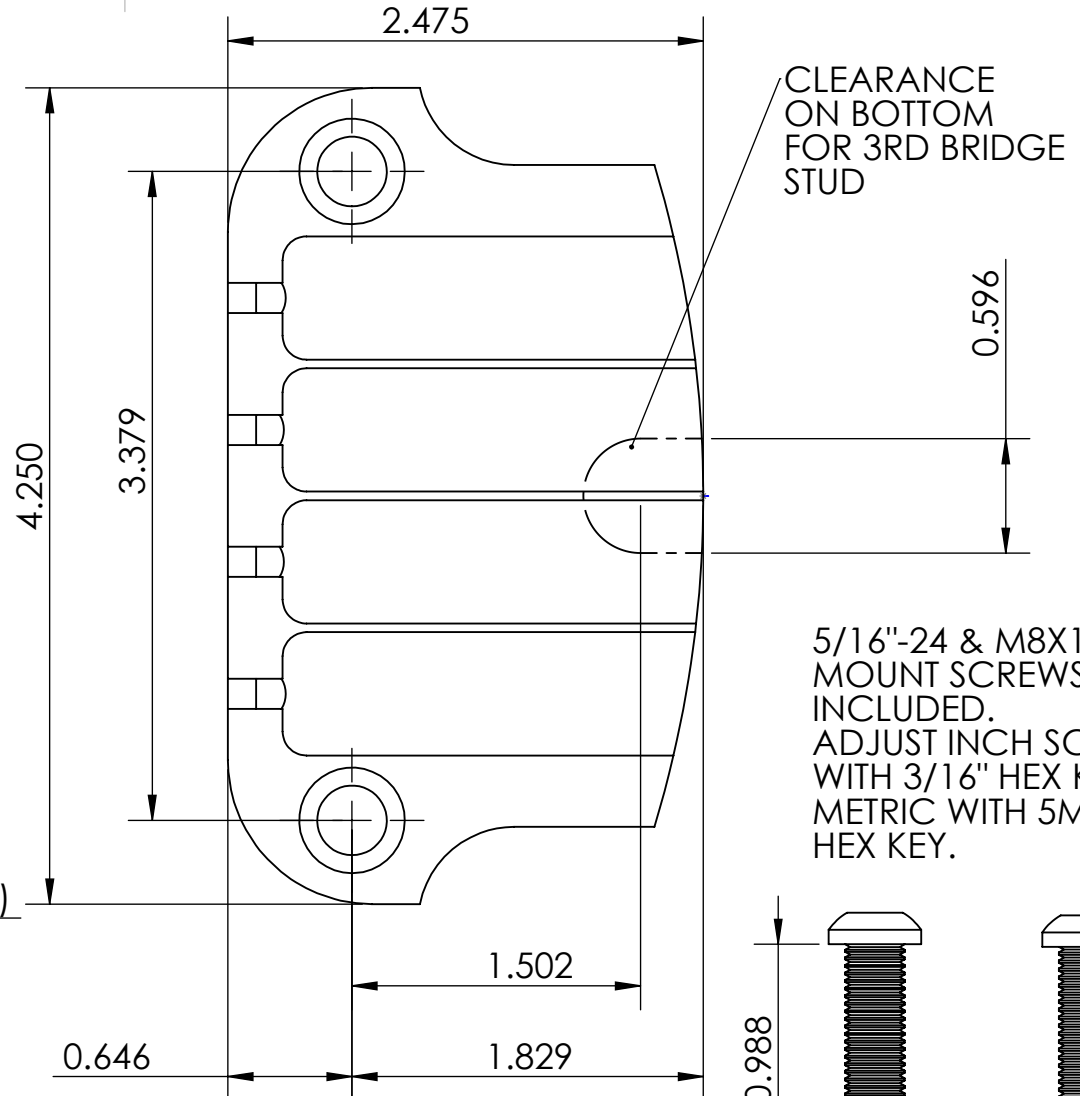
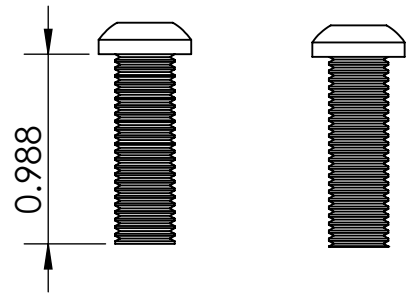


WEIGHT (WITH MOUNTING HARDWARE): 6.7 oz



5/16"-24 & M8X1 MOUNT SCREWS INCLUDED. ADJUST INCH SCREW WITH 3/16" HEX KEY. METRIC WITH 5MM HEX KEY.



THIS DRAWING IS THE SOLE PROPERTY OF HIPSHOT PRODUCTS, INC. ALL RIGHTS ARE RESERVED. DIMENSIONS AND PRODUCT FEATURES ARE SUBJECT TO CHANGE WITHOUT NOTICE.

UNLESS OTHERWISE SPECIFIED: DIMENSIONS ARE IN INCHES TOLERANCE: ± .005

IMAGE NOT DRAWN TO SCALE



8248 STATE ROUTE 96
 Interlaken, NY 14847 U.S.A.
 TEL: 607-532-9404 FAX: 607-532-9530
 E-MAIL: info@HipshotProducts.com

SUPERTONE 3 POINT BRIDGE