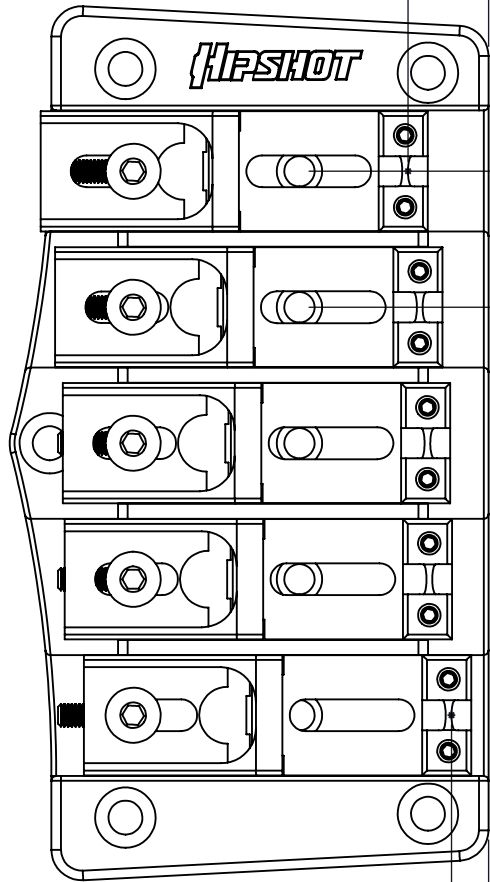
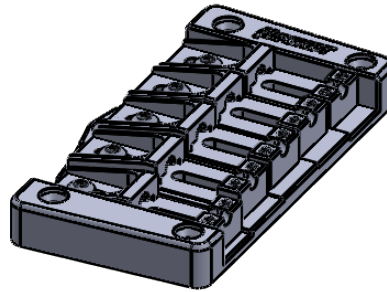


0.419
(MAX INTONATION)



0.708
(STRING SPACING)

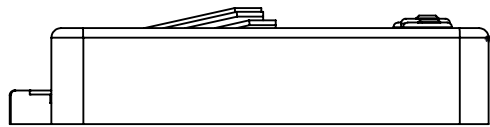


0.193
(MIN INTONATION)

0.445
(MIN STRING HEIGHT)

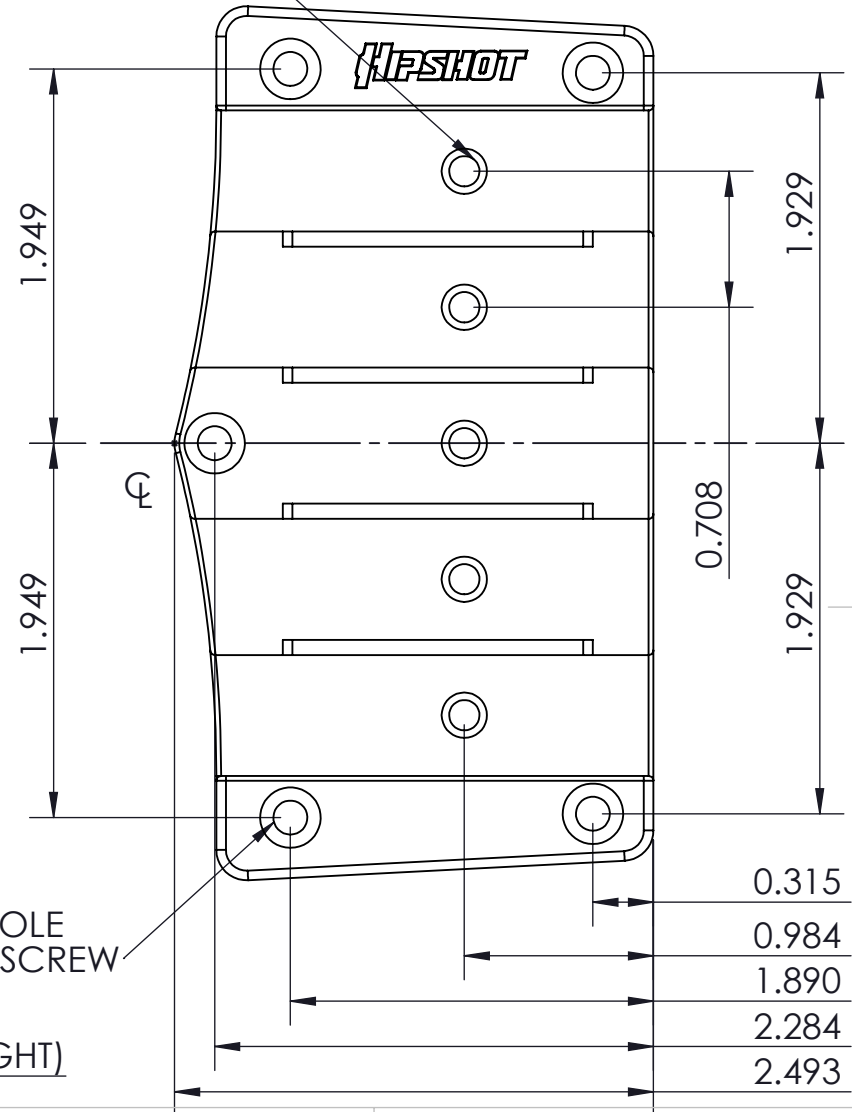
USE 1/8" PILOT HOLE
FOR #8 MOUNT SCREW

0.695
(MAX STRING HEIGHT)



WEIGHT (WITH MOUNTING HARDWARE): 12.3oz

USE 5/32" DRILL FOR
STRING THRU HOLES



THIS DRAWING IS THE SOLE PROPERTY OF HIPSHOT PRODUCTS, INC.
ALL RIGHTS ARE RESERVED.
DIMENSIONS AND PRODUCT FEATURES ARE SUBJECT TO CHANGE
WITHOUT NOTICE.

UNLESS OTHERWISE SPECIFIED:
DIMENSIONS ARE IN INCHES
TOLERANCE: ± .005

IMAGE NOT DRAWN
TO SCALE

5 STG TRANSTONE BASS BRIDGE



8248 STATE ROUTE 96
Interlaken, NY 14847 U.S.A.
TEL: 607-532-9404 FAX: 607-532-9530
E-MAIL: info@HipshotProducts.com