

1.00in [25mm]  
(MAX INTONATION  
TO CENTER OF  
PIVOT HOLE)

0.486in [12.3mm]

2.000in [50.8mm]

**STUD**  
3/16in HEX  
ADJUST

0.750in [19.1mm]

1.000in [25.4mm]

0.19in [5mm]  
(MIN INTONATION  
TO CENTER OF  
PIVOT HOLE)

3.406in [86.5mm]  
(PIVOT POSTS)

4.185in [106.3mm]

0.220in [5.6mm]

0.750in [19.1mm]  
(STRING SPACING)

USE 1MM HEX  
WRENCH

0.220in [5.6mm]

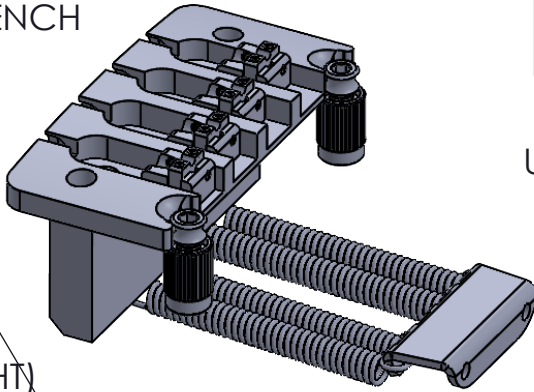
1.014in [25.8mm]

0.375in [9.5mm]  
BRIDGE PLATE

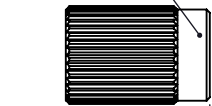
1.500in [38.1mm]

0.43in [11mm]  
(MIN STRING HEIGHT)

WEIGHT (WITH MOUNTING HARDWARE): 19.0oz [539g]



**INSERT**  
USE 1/2in [12.7mm] BORE



0.750in [19.1mm]

THIS DRAWING IS THE SOLE PROPERTY OF HIPSHOT PRODUCTS, INC. ALL RIGHTS ARE RESERVED. DIMENSIONS AND PRODUCT FEATURES MAY CHANGE WITHOUT NOTICE.

UNLESS OTHERWISE SPECIFIED: DIMENSIONS ARE IN INCHES TOLERANCE: ± .005

REV DATE: 2/1/2022



8248 STATE ROUTE 96  
Interlaken, NY 14847 U.S.A.  
TEL: 607-532-9404 FAX: 607-532-9530  
E-MAIL: info@HipshotProducts.com

5V400-750 4 STG BASS  
VIBRATO BRIDGE 750  
SPACING DIMENSIONS

