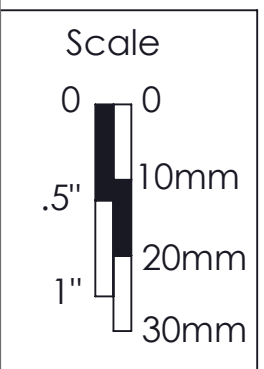
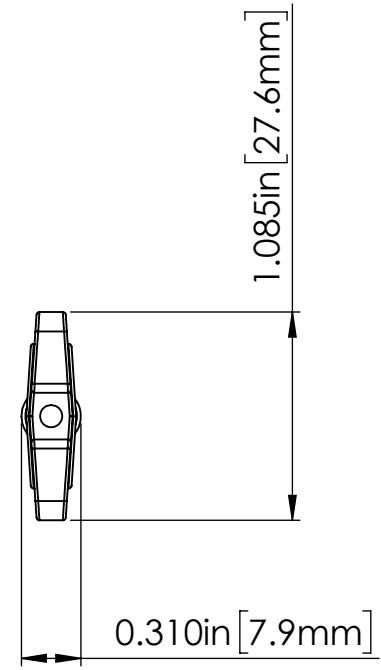
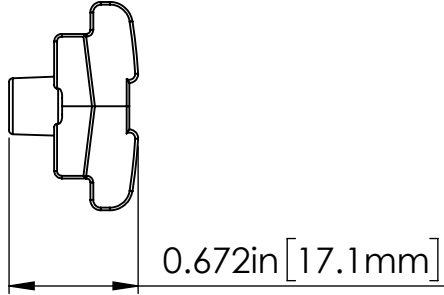
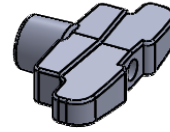


DOUBLE D  
TUNER SHAFT  
REQUIREMENT



MATERIAL: PLATED ZINC  
WEIGHT (WITH MOUNTING HARDWARE): 0.30oz [8.5g]

THIS DRAWING IS THE SOLE PROPERTY OF HIPSHOT PRODUCTS, INC. ALL RIGHTS ARE RESERVED. DIMENSIONS AND PRODUCT FEATURES MAY CHANGE WITHOUT NOTICE.

UNLESS OTHERWISE SPECIFIED; DIMENSIONS ARE IN INCHES TOLERANCE: ± .005

REV DATE:  
3/21/2021

6B1DCO DECO GUITAR  
TUNER BUTTON



8248 STATE ROUTE 96  
Interlaken, NY 14847 U.S.A.  
TEL:607-532-9404 FAX:607-532-9530  
E-MAIL: info@HipshotProducts.com