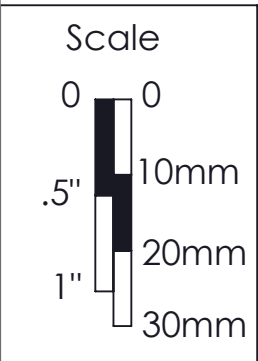
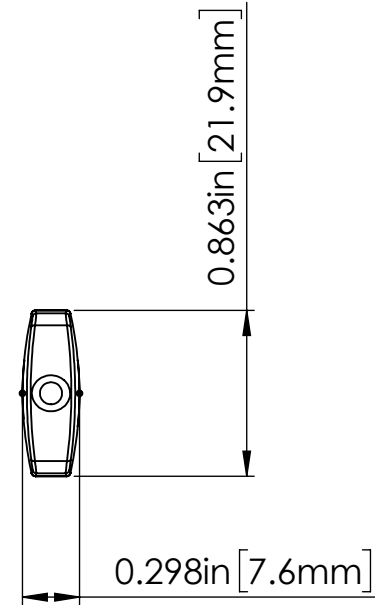
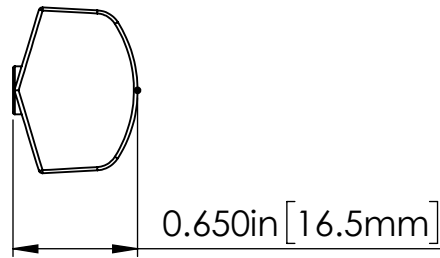
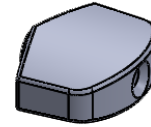


DOUBLE D
TUNER SHAFT
REQUIREMENT



MATERIAL: PLATED ZINC
WEIGHT (WITH MOUNTING HARDWARE): 0.36oz [10.2g]

THIS DRAWING IS THE SOLE PROPERTY OF HIPSHOT PRODUCTS, INC. ALL RIGHTS ARE RESERVED. DIMENSIONS AND PRODUCT FEATURES MAY CHANGE WITHOUT NOTICE.

UNLESS OTHERWISE SPECIFIED; DIMENSIONS ARE IN INCHES TOLERANCE: $\pm .005$

REV DATE:
3/21/2021

6B1DLT DELTA GUITAR TUNER BUTTON



8248 STATE ROUTE 96
Interlaken, NY 14847 U.S.A.
TEL: 607-532-9404 FAX: 607-532-9530
E-MAIL: info@HipshotProducts.com