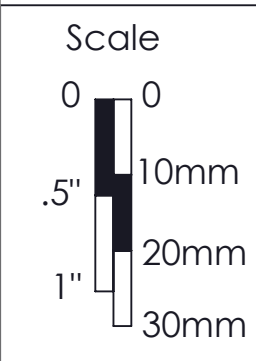
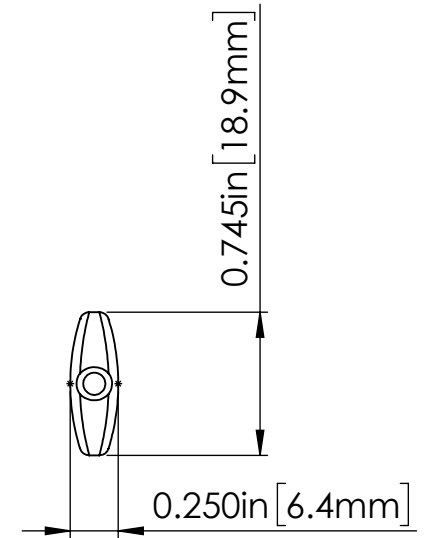
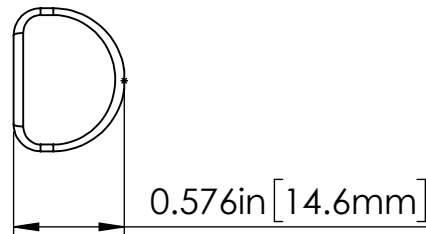
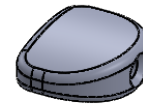


DOUBLE D  
TUNER SHAFT  
REQUIREMENT



MATERIAL: PLASTIC  
WEIGHT (WITH MOUNTING HARDWARE): 0.27oz [7.7g]

THIS DRAWING IS THE SOLE PROPERTY OF HIPSHOT PRODUCTS, INC. ALL RIGHTS ARE RESERVED. DIMENSIONS AND PRODUCT FEATURES MAY CHANGE WITHOUT NOTICE.

UNLESS OTHERWISE SPECIFIED; DIMENSIONS ARE IN INCHES TOLERANCE:  $\pm .005$

REV DATE:  
3/21/2021

6B1HMM-A HALF MOON MINI  
AMBER GUITAR TUNER  
BUTTON



8248 STATE ROUTE 96  
Interlaken, NY 14847 U.S.A.  
TEL:607-532-9404 FAX:607-532-9530  
E-MAIL: info@HipshotProducts.com