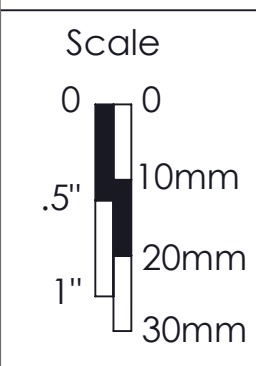
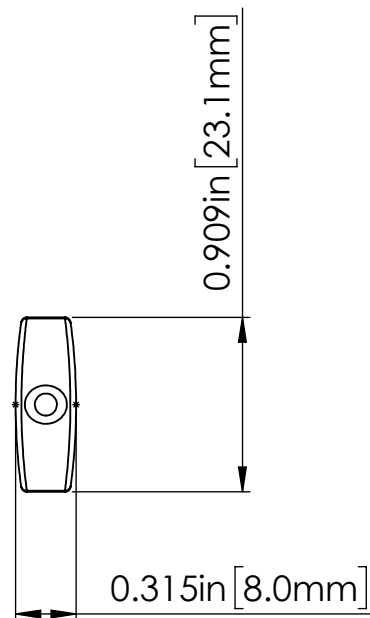
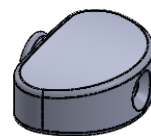
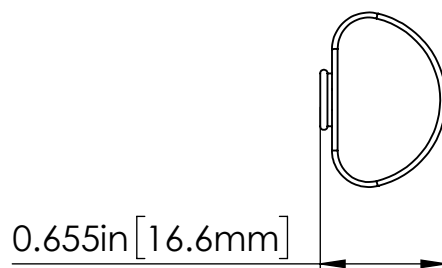


DOUBLE D  
TUNER SHAFT  
REQUIREMENT



MATERIAL: PLATED ZINC  
WEIGHT (WITH MOUNTING HARDWARE): 0.43oz [12.2g]

THIS DRAWING IS THE SOLE PROPERTY OF HIPSHOT PRODUCTS, INC. ALL RIGHTS ARE RESERVED. DIMENSIONS AND PRODUCT FEATURES MAY CHANGE WITHOUT NOTICE.

UNLESS OTHERWISE SPECIFIED; DIMENSIONS ARE IN INCHES TOLERANCE:  $\pm .005$

REV DATE:  
3/21/2021

6B1MOO HALF MOON  
GUITAR TUNER BUTTON



8248 STATE ROUTE 96  
Interlaken, NY 14847 U.S.A.  
TEL: 607-532-9404 FAX: 607-532-9530  
E-MAIL: info@HipshotProducts.com