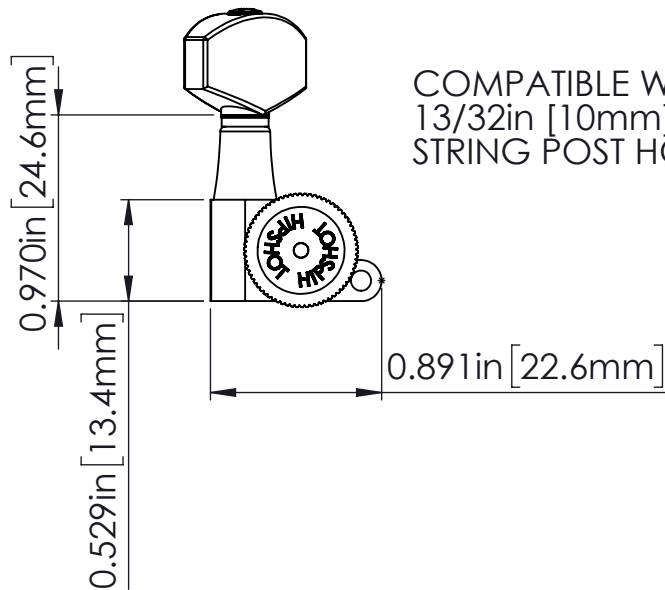


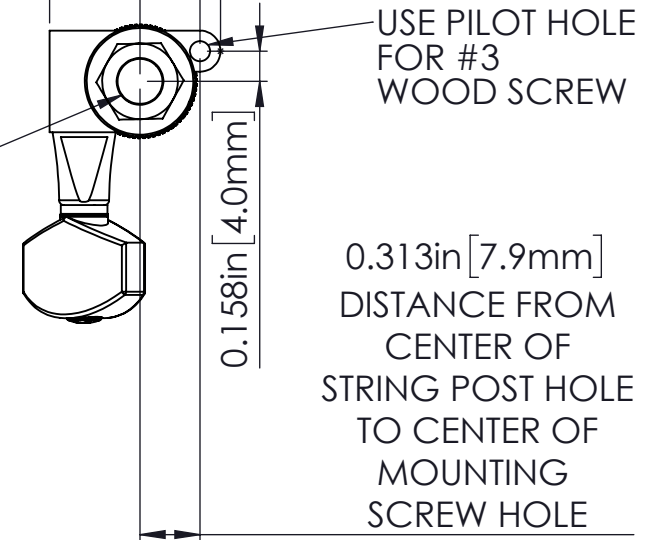
USE 10MM SOCKET FOR REACH NUT

STARTING IN 2021 ALL STRING POST LENGTHS ARE INDICATED ON TUNER SHANK.



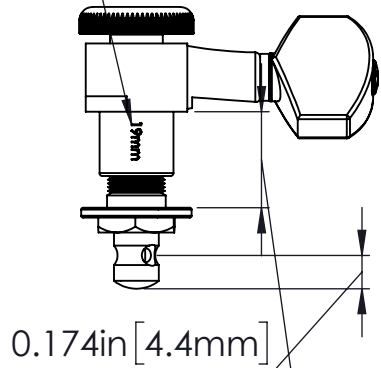
COMPATIBLE WITH 13/32in [10mm] STRING POST HOLE

0.472in [12.0mm]      0.107in [2.7mm]

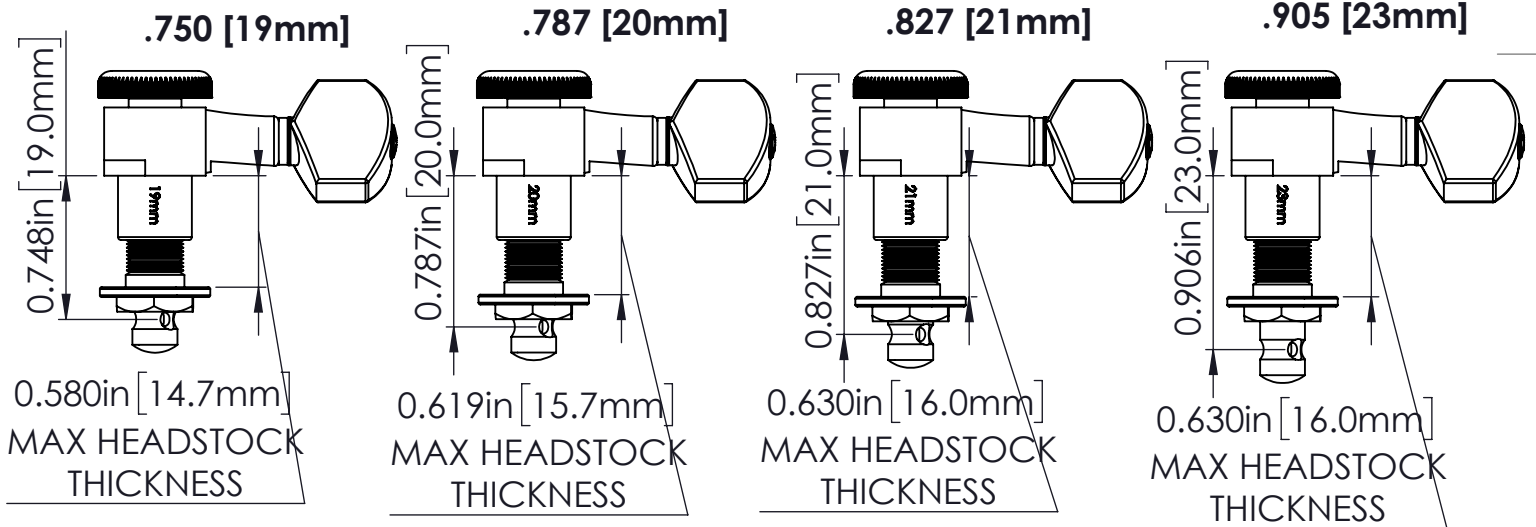


USE PILOT HOLE FOR #3 WOOD SCREW

0.313in [7.9mm] DISTANCE FROM CENTER OF STRING POST HOLE TO CENTER OF MOUNTING SCREW HOLE



0.174in [4.4mm]



**.750 [19mm]**  
0.748in [19.0mm]  
0.580in [14.7mm] MAX HEADSTOCK THICKNESS

**.787 [20mm]**  
0.787in [20.0mm]  
0.619in [15.7mm] MAX HEADSTOCK THICKNESS

**.827 [21mm]**  
0.827in [21.0mm]  
0.630in [16.0mm] MAX HEADSTOCK THICKNESS

**.905 [23mm]**  
0.906in [23.0mm]  
0.630in [16.0mm] MAX HEADSTOCK THICKNESS

0.500in [12.7mm] MIN HEADSTOCK THICKNESS (SAME FOR ALL TUNERS)

*\*Universal Mount Plate adds 1mm to headstock thickness.*

WEIGHT (WITH MOUNTING HARDWARE): 1.22oz [35g]

THIS DRAWING IS THE SOLE PROPERTY OF HIPSHOT PRODUCTS, INC. ALL RIGHTS ARE RESERVED. DIMENSIONS AND PRODUCT FEATURES MAY CHANGE WITHOUT NOTICE.

UNLESS OTHERWISE SPECIFIED: DIMENSIONS ARE IN INCHES TOLERANCE: ± .005

REV DATE: 10/3/2020

6EL0 GRIP-LOCK CLOSED DIMENSIONS



8248 STATE ROUTE 96  
Interlaken, NY 14847 U.S.A.  
TEL: 607-532-9404 FAX: 607-532-9530  
E-MAIL: info@HipsHOTProducts.com