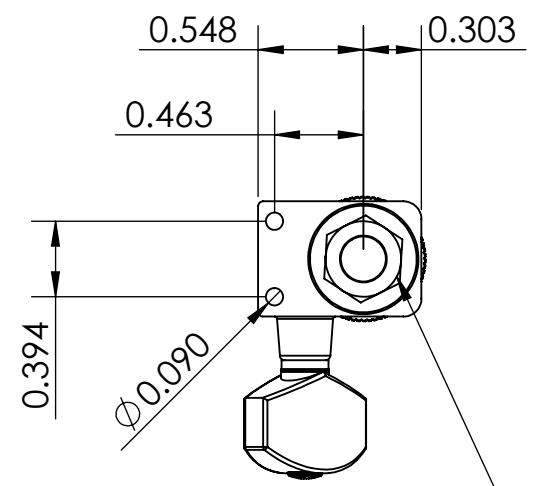
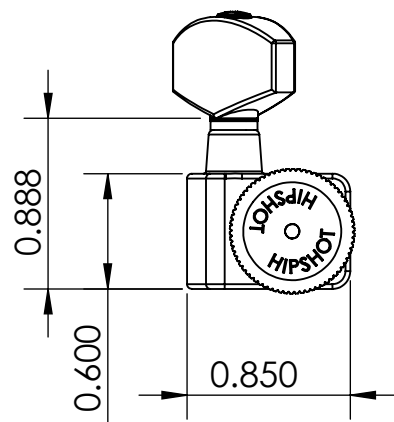


0.500
MIN HEADSTOCK
THICKNESS

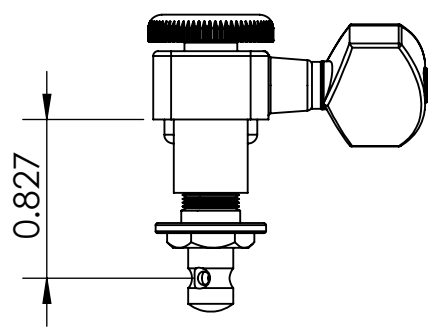
USE 10MM
SOCKET FOR
REACH NUT

0.688
MAX HEADSTOCK
THICKNESS

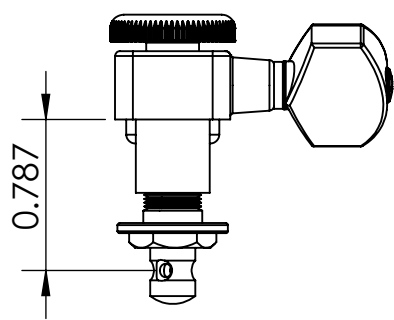
0.355



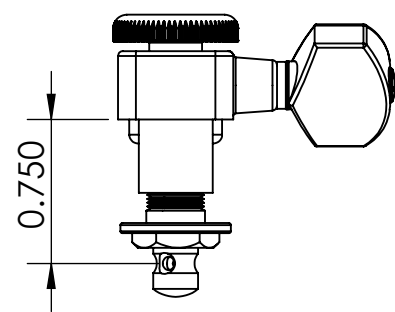
COMPATIBLE WITH
27/64" AND 10MM
STRING POST HOLE



.827"
(21MM)



.787"
(20MM)



.750"
(19MM)

WEIGHT (WITH MOUNTING HARDWARE): 1.3oz (PER TUNING MACHINE)

THIS DRAWING IS THE SOLE PROPERTY OF HIPSHOT PRODUCTS, INC.
ALL RIGHTS ARE RESERVED.
DIMENSIONS AND PRODUCT FEATURES ARE SUBJECT TO CHANGE
WITHOUT NOTICE.

UNLESS OTHERWISE SPECIFIED:
DIMENSIONS ARE IN INCHES
TOLERANCE: ± .005

IMAGE NOT DRAWN
TO SCALE



8248 STATE ROUTE 96
Interlaken, NY 14847 U.S.A.
TEL:607-532-9404 FAX:607-532-9530
E-MAIL: info@HipshotProducts.com

FENDER DIRECTROFIT TUNING
MACHINE