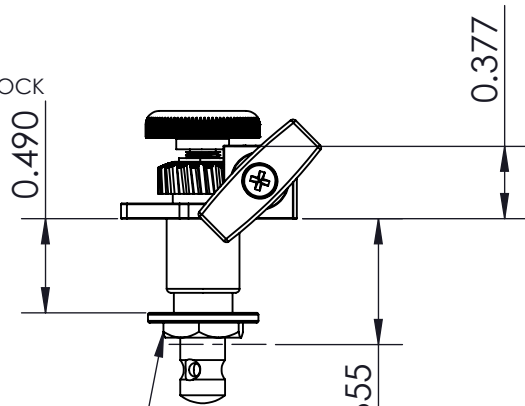


MIN HEADSTOCK THICKNESS

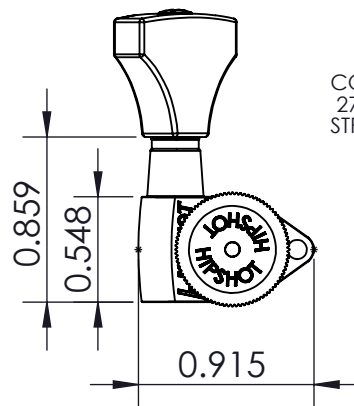


USE 10MM SOCKET FOR REACH NUT

MAX HEADSTOCK THICKNESS

0.655

TOP



0.490 0.088

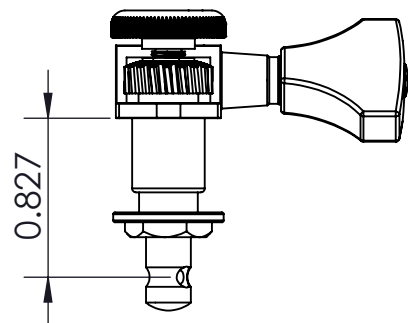
COMPATIBLE WITH 27/64" AND 10MM STRING POST HOLE

USE #37 DRILL BIT FOR #3 WOOD SCREW.

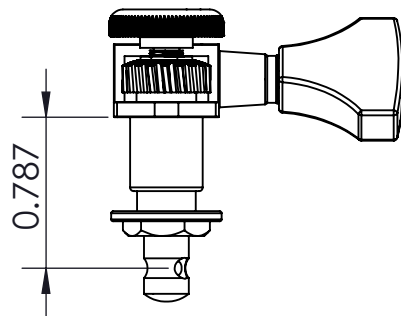
0.337

DISTANCE FROM CENTER OF STRING POST HOLE TO CENTER OF MOUNTING SCREW HOLE

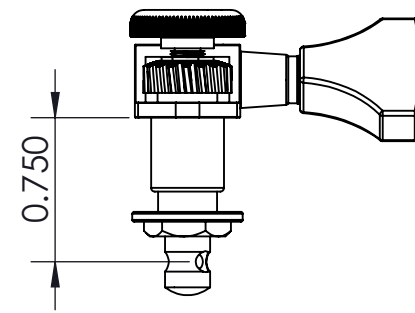
BOTTOM



.827" (21MM)



.787" (20MM)



.750" (19MM)

WEIGHT (WITH MOUNTING HARDWARE): 1.23oz

THIS DRAWING IS THE SOLE PROPERTY OF HIPSHOT PRODUCTS, INC. ALL RIGHTS ARE RESERVED. DIMENSIONS AND PRODUCT FEATURES ARE SUBJECT TO CHANGE WITHOUT NOTICE.

UNLESS OTHERWISE SPECIFIED: DIMENSIONS ARE IN INCHES TOLERANCE: ± .005

IMAGE NOT DRAWN TO SCALE



8248 STATE ROUTE 96 Interlaken, NY 14847 U.S.A. TEL:607-532-9404 FAX:607-532-9530 E-MAIL: info@HipshotProducts.com

Grip-Lock Open Guitar Tuner