

MIN HEADSTOCK THICKNESS

0.532

0.356

MAX HEADSTOCK THICKNESS

0.655

0.970

0.529

0.891

0.107

USE #37 DRILL BIT FOR #3 WOOD SCREW

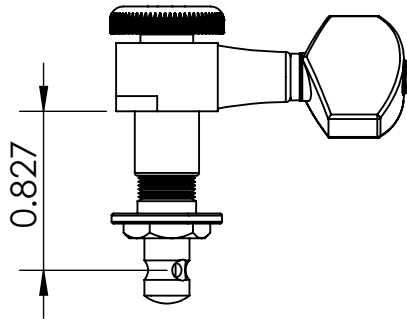
0.472

0.313

0.158

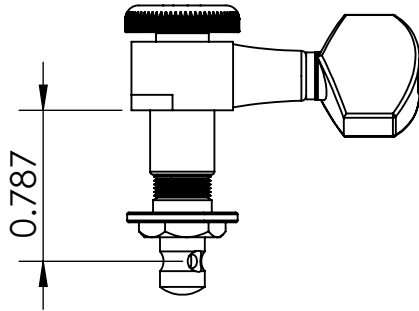
COMPATIBLE WITH 11/32" (8.5MM) STRING POST HOLE

USE 10MM SOCKET FOR REACH NUT



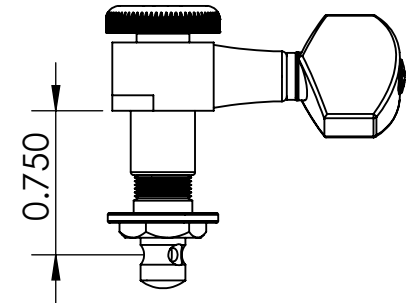
0.827

.827" (21MM)



0.787

.787" (20MM)



0.750

.750" (19MM)

WEIGHT (WITH MOUNTING HARDWARE): 1.22 oz

THIS DRAWING IS THE SOLE PROPERTY OF HIPSHOT PRODUCTS, INC. ALL RIGHTS ARE RESERVED. DIMENSIONS AND PRODUCT FEATURES ARE SUBJECT TO CHANGE WITHOUT NOTICE.

UNLESS OTHERWISE SPECIFIED: DIMENSIONS ARE IN INCHES TOLERANCE: ± .005

IMAGE NOT DRAWN TO SCALE



8248 STATE ROUTE 96 Interlaken, NY 14847 U.S.A. TEL:607-532-9404 FAX:607-532-9530 E-MAIL: info@HipshotProducts.com

VINTAGE GRIP-LOCK ENCLOSED GUITAR TUNER